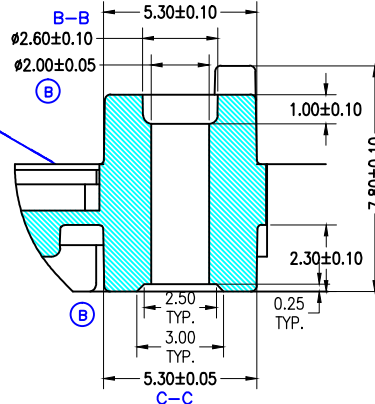
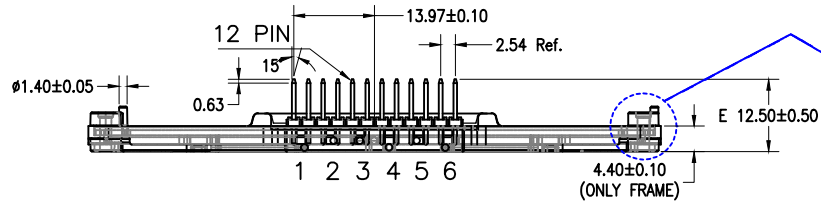
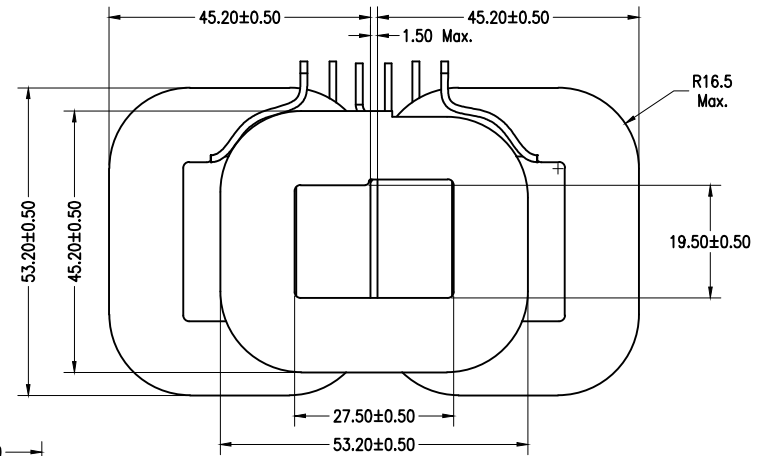
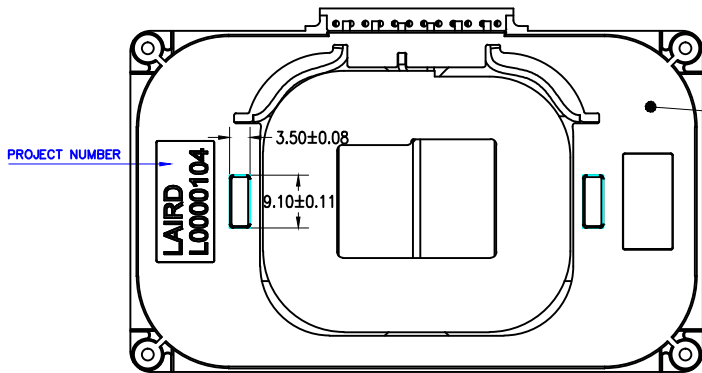


Identification barcode label



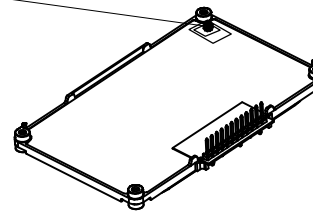
**PHYSICAL DIMENSIONS:**

- A 99.00 ± 0.20
- B 59.00 ± 0.20
- C 6.80 ± 0.10
- D 4.60 Max.
- E 12.50 ± 0.50



Frame PPS+GF40, Black

Identification barcode label



**ELECTRICAL SPECIFICATION @ 25°C**

	Min	Nom	Max
INDUCTANCE (uH) L1,2 & L5,6 100KHz/0.5V (±10%)	11.25	12.50	13.75
INDUCTANCE (uH) L3,4 100KHz/0.5V (±10%)	10.35	11.50	12.65
DCR (Ω)			0.080

**MANUFACTURING SPECIFICATIONS:**

1. OPERATION TEMPERATURE RANGE: -40°C~+85°C (INCLUDING SELF-HEATING).
2. STORAGE TEMPERATURE RANGE: -40~+90°C.
- 3 .FERRITE: LAIRD 28MAT OR EQUIVALENT.
- 4 .DIMENSIONS NOT LISTED OUT SPECIALLY NEED TO BE MEASURED 1 PC FROM EACH CAVITY AND 5 PCS FROM EACH BATCH.
5. NEED CPK>1.33.
6. CUSTOMER P/N: L0000104 REV. 02.

DIMENSIONS ARE IN mm.

This print is the property of Laird Tech. and is loaned in confidence subject to return upon request and with the understanding that no copies shall be made without the written consent of Laird Tech. All rights to design or invention are reserved.



REV	DESCRIPTION	DATE	INT	PROJECT/PART NUMBER:	REV	PART TYPE:	DRAWN BY:
D	UPDATED LABEL POSITION	04/28/2019	Jcai	SWC9959AK120-15	D	---	Jcai
C	UPDATED C-C DETAIL	10/23/18	Jcai				
B	ADD DIMENSIONS: MARKING (B)	04/10/18	QIU				
A	NEW RELEASE	02/23/18	Jcai				
REV	DESCRIPTION	DATE	INT	DATE: 02/23/18	SCALE: 1:1	MATERIAL: ---	
				CAD # SWC9959AK120-15-D	TOOL # ---		