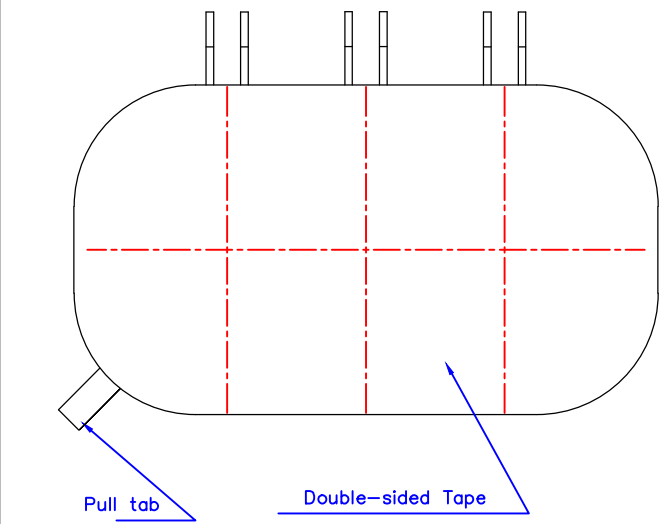


**PHYSICAL DIMENSIONS:**

A	101.00	±	2.00
B	57.00	±	2.00
C	0.90	±	0.10
C1	4.00		Max.
D	8.00	±	2.00
E	6.00		Ref.
F	4.00		Ref.
G	24.40	±	2.00
H	18.40		Ref.
J	11.0		Ref.
K	13.40		Ref.

NOTES: UNLESS OTHERWISE SPECIFIED

1. OPERATING TEMPERATURE RANGE:  
-40°C TO +70°C (INCLUDING SELF-HEATING).
2. STORAGE TEMPERATURE RANGE (PACKAGING CONDITIONS) :  
-10°C TO +40°C AND RH 70% (MAX.)
3. COIL: USTC LITZ WIRE 0.06X200 STRANDS.
4. ▽ NEED CPK>1.33.
5. PET 和 DOUBLE-SIDED TAPE 盖住磁片。
6. 丝包线不能露铜。
7. Tape满足85度要求。



**RoHS**

**ELECTRICAL SPECIFICATION @ 25°C**

	Min	Nom	Max
INDUCTANCE (uH)			
▽ L1,2 & L5,6 100KHz/0.5V (±10%)	8.82	9.80	10.78
INDUCTANCE (uH)			
▽ L3,4 100KHz/0.5V (±10%)	9.18	10.20	11.22
DCR1,2& 5,6 (Ω)			0.060
DCR3,4 (Ω)			0.065

DIMENSIONS ARE IN mm.				This print is the property of Laird Tech. and is loaned in confidence subject to return upon request and with the understanding that no copies shall be made without the written consent of Laird Tech. All rights to design or invention are reserved.			
PROJECT/PART NUMBER: <b>SWC9756AK100-715</b>				REV <b>A</b>	PART TYPE: ---	DRAWN BY: YC	
DATE: 12/17/19				SCALE: 1:1	MATERIAL:		
A	NEW RELEASE	12/17/19	YC	CAD #	TOOL #	---	
REV	DESCRIPTION	DATE	INT	SWC9756AK100-715-A			

