

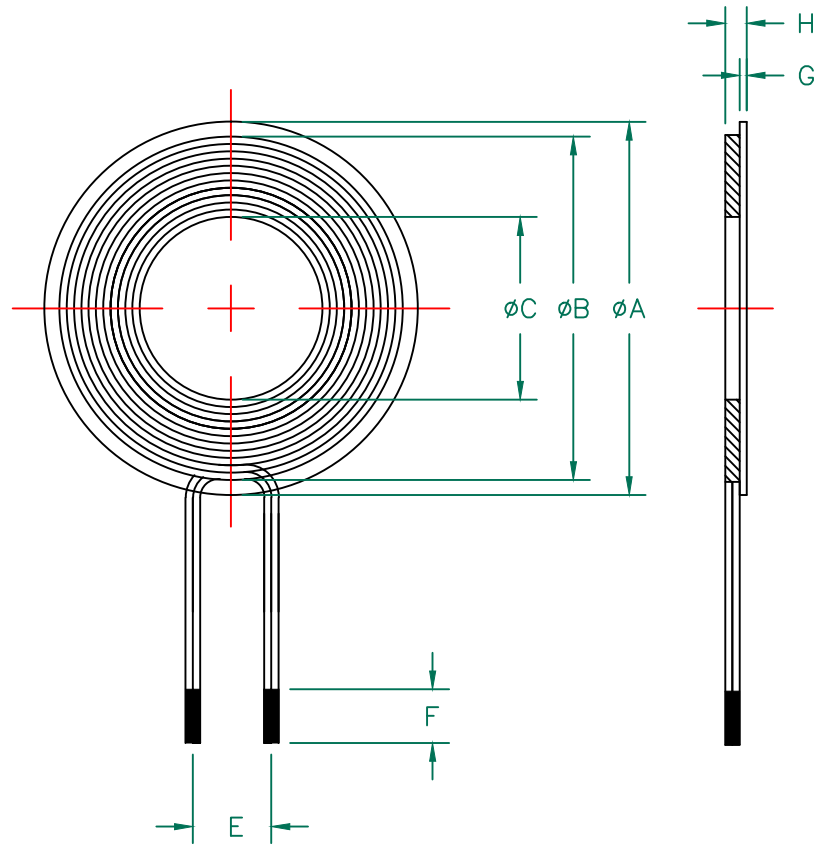
RWC5050AK060-520

PHYSICAL DIMENSIONS:

A	50.00	±	0.75
B	44.00		REF.
C	20.50		REF.
D	25.00		MIN
E	10.00		REF.
F	10.00	±	2.00
G	1.30	±	0.10
H	4.00		MAX



**PRELIMINARY
PRINT**



ELECTRICAL SPECIFICATION @ 25°C

	Min	Nom	Max
INDUCTANCE (uH) L @ 100KHz/1V ±10%	5.67	6.30	6.93
DCR (mΩ)			25

NOTES: UNLESS OTHERWISE SPECIFIED

- OPERATING TEMPERATURE RANGE:
-40°C TO +85°C (INCLUDING SELF-HEATING).
- STORAGE TEMPERATURE RANGE (PACKAGING CONDITIONS) :
-10°C TO +40°C AND RH 70% (MAX.)
- FERRITE MATERIAL: LAIRD 28MAT OR EQUIVALENT.

DIMENSIONS ARE IN mm.				This print is the property of Laird Tech. and is loaned in confidence subject to return upon request and with the understanding that no copies shall be made without the written consent of Laird Tech. All rights to design or invention are reserved.			
PROJECT/PART NUMBER:				RWC5050AK060-520		REV	P3
DATE:				03/14/18		SCALE:	NTS
DRAWN BY:				Jcai		SHEET:	
DESCRIPTION:				RWC5050AK060-520-P3		TOOL #	
DATE:				03/21/18		1 of 1	
INT:				Jcai			
DESCRIPTION:				UPDATED COIL AND FERRITE THICKNESS			
DESCRIPTION:				UPDATED CORE SHAPE AND COIL			
DESCRIPTION:				PRELIMINARY DRAFT			

