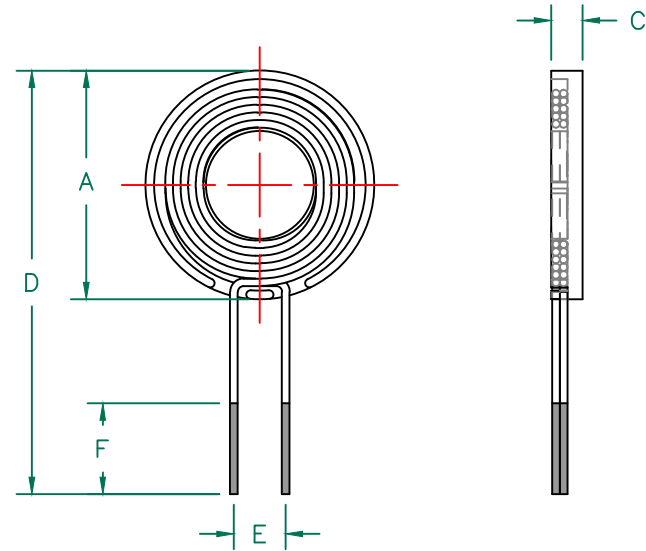


RWC2727AH070-300

PHYSICAL DIMENSIONS:

A	27.00	±	0.40
C	4.20		Max.
D	49.36	±	3.00
E	7.00		Typ.
F	10.00	±	2.00



ELECTRICAL SPECIFICATION @ 25°C

	Min	Nom	Max
INDUCTANCE (μH) L @ 200KHz/1V	5.00	5.50	6.00
DCR (mΩ)			48.3

NOTES: UNLESS OTHERWISE SPECIFIED

1. OPERATING TEMPERATURE RANGE: -40°C TO +85°C (INCLUDING SELF-HEATING) .
2. FERRITE MATERIAL: LAIRD 33MAT.
3. COIL SPEC : 150 STRANDS OF AWG44, 2 LAYER, 5Ts/LAYER.



DIMENSIONS ARE IN mm.				This print is the property of Laird Tech. and is loaned in confidence subject to return upon request and with the understanding that no copies shall be made without the written consent of Laird Tech. All rights to design or invention are reserved.				Laird	
PROJECT/PART NUMBER:				REV	PART TYPE:	DRAWN BY:			
RWC2727AH070-300				A		QIU			
DATE:				SCALE:	NTS	SHEET:			
10/25/16						1 of 1			
REV	DESCRIPTION	DATE	INT	CAD #	TOOL #	RWC2727AH070-300-A			
A	ORIGINAL DRAFT	10/25/16	QIU		-				