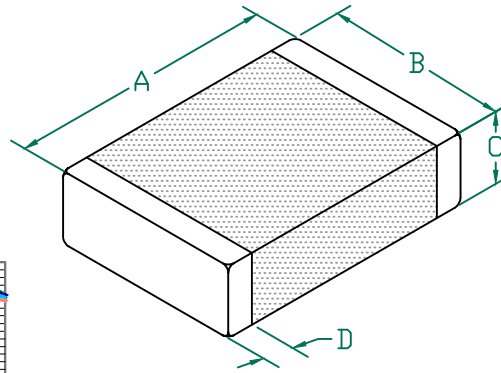


LI1812D121R-10

PHYSICAL DIMENSIONS:

A	4.50 [.177]	\pm 0.25 [.010]
B	3.20 [.126]	\pm 0.25 [.010]
C	1.40 [.055]	\pm 0.25 [.010]
D	0.46 [.018]	\pm 0.20 [.008]

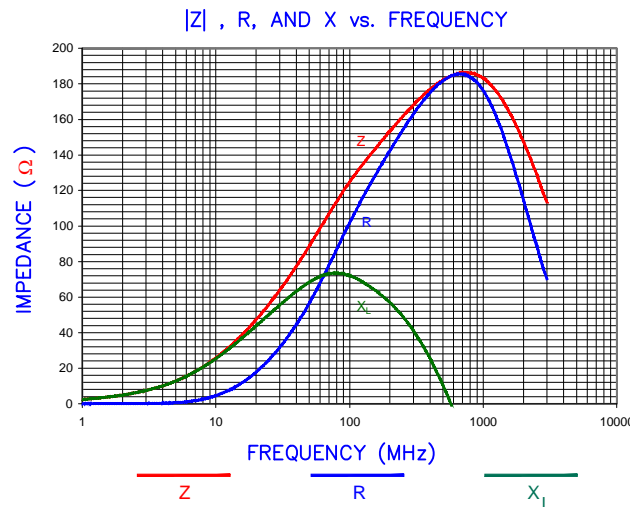
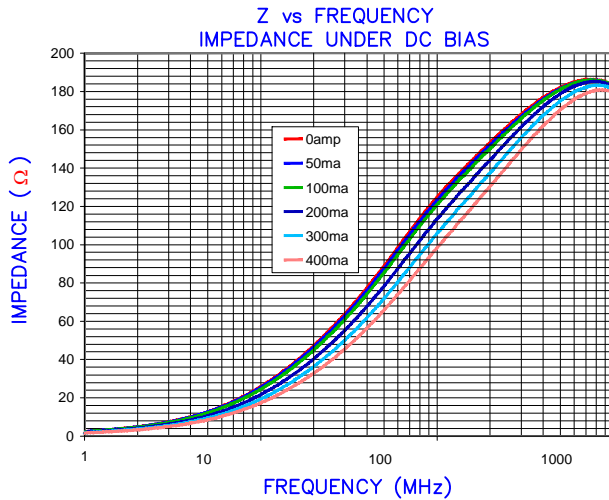


ELECTRICAL CHARACTERISTICS:

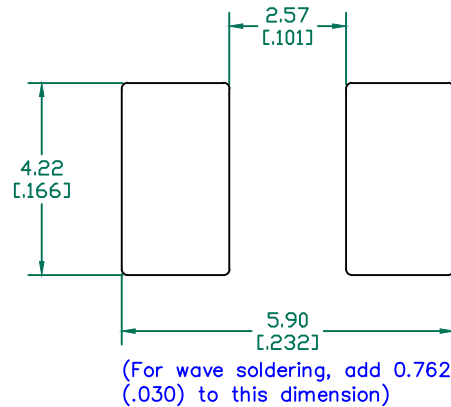
Z @ 100MHz (Ω)	DCR (Ω)	Rated Current
Nominal	120	
Minimum	90	
Maximum	150	0.400 400 mA

NOTES: UNLESS OTHERWISE SPECIFIED

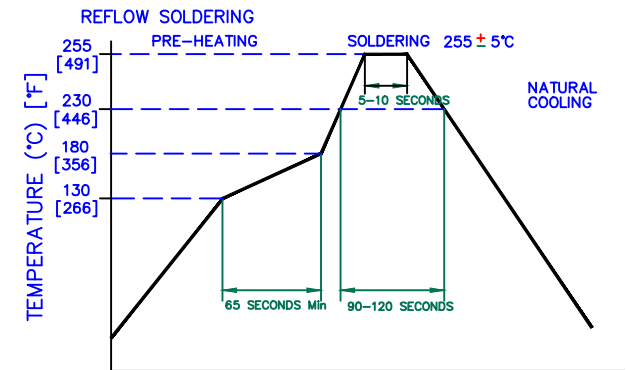
1. TAPED AND REELED per CURRENT EIA SPECIFICATIONS 13" REELS, 2500 PCS/REEL.
2. COMPONENTS SHOULD BE ADEQUATELY PREHEATED BEFORE SOLDERING.
3. TERMINATION FINISH IS 100% TIN.
4. OPERATING TEMP. RANGE: $-40^{\circ}\text{C} \sim +125^{\circ}\text{C}$. (INCLUDING SELF-HEATING)



LAND PATTERNS FOR REFLOW SOLDERING



RECOMMENDED SOLDERING CONDITIONS



AGILENT E4991A RF Impedance/Material Analyzer
HP 16194A Test Fixture. TEST REF. 3337



DIMENSIONS ARE IN mm [INCHES]				This print is the property of Laird Tech. and is loaned in confidence subject to return upon request and with the understanding that no copies shall be made without the written consent of Laird Tech. All rights to design or invention are reserved.			
				Laird			
C	ADD OPERATING TEMPERATURE UPDATE LAIRD LOGO AND REFLOW CURVE	08/05/13	QU	PROJECT/PART NUMBER:	REV	PART TYPE:	DRAWN BY:
B	UPDATE COMPANY LOGO ADD ROHS SYM	07/24/08	JRK	LI1812D121R-10	C	CO-FIRE	JRK
A	ORIGINAL DRAFT	08/16/04	JRK	DATE:	SCALE:	NTS	SHEET:
REV	DESCRIPTION	DATE	INT	08/16/04			
				CAD #	TOOL #	1 of 1	
				LI1812D121R-10-C	-		