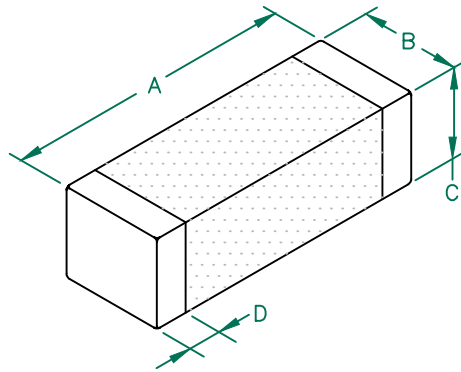


LI1806E101R-10

PHYSICAL DIMENSIONS:

A	4.50 [.177]	± 0.25 [.010]
B	1.60 [.063]	± 0.25 [.010]
C	1.60 [.063]	± 0.25 [.010]
D	0.51 [.020]	± 0.25 [.010]



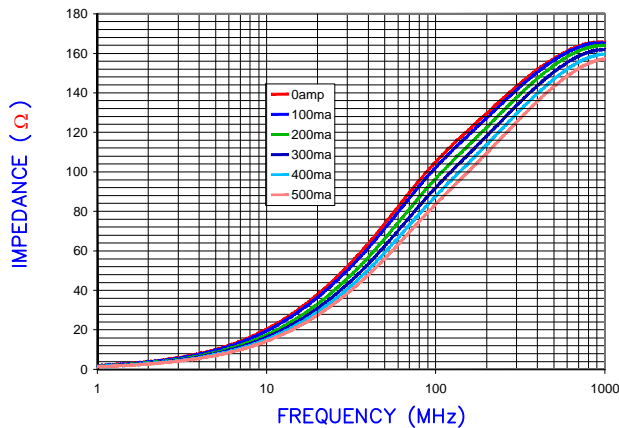
ELECTRICAL CHARACTERISTICS:

	Z @ 100MHz (Ω)	DCR (Ω)	Rated Current
Nominal	100		
Minimum	75		
Maximum	125	0.30	500 mA

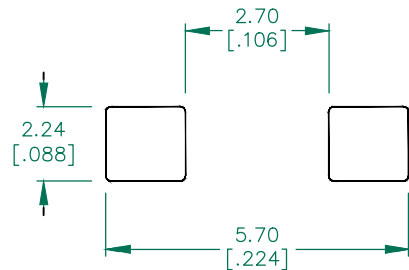
NOTES: UNLESS OTHERWISE SPECIFIED

1. TAPED AND REELED per CURRENT EIA SPECIFICATIONS 7" REELS, 2000 PCS/REEL.
2. TERMINATION FINISH IS 100% TIN.
3. COMPONENTS SHOULD BE ADEQUATELY PREHEATED BEFORE SOLDERING.
4. OPERATING TEMP. RANGE: -40°C~+125°C. (INCLUDING SELF-HEATING)

Z vs FREQUENCY
IMPEDANCE UNDER DC BIAS

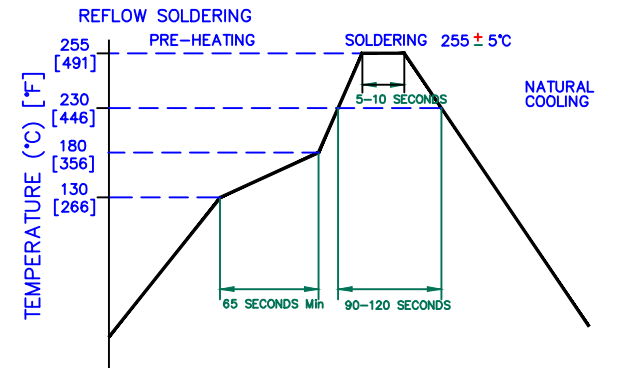


LAND PATTERNS FOR REFLOW SOLDERING

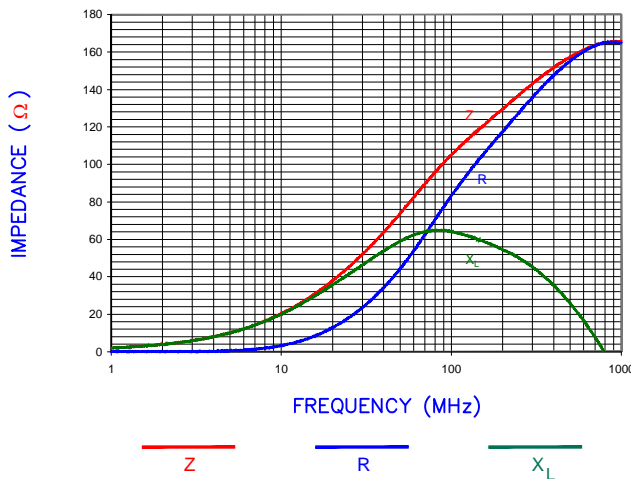


(For wave soldering, add 0.762 [.030] to this dimension.)

RECOMMENDED SOLDERING CONDITIONS



|Z|, R, AND X vs. FREQUENCY



RoHS

DIMENSIONS ARE IN mm [INCHES].				This print is the property of Laird Tech. and is loaned in confidence subject to return upon request and with the understanding that no copies shall be made without the written consent of Laird Tech. All rights to design or invention are reserved.			
D	ADD OPERATING TEMPERATURE UPDATE LAIRD LOGO AND REFLOW CURVE	08/05/13	QU	PROJECT/PART NUMBER:	REV	PART TYPE:	DRAWN BY:
C	CHANGE REEL QTY FROM 3K TO 2K	11/05/08	JRK	LI1806E101R-10	D	CO-FIRE	TMB
B	UPDATE COMPANY LOGO ADD ROHS SYM	07/22/08	JRK	DATE:	SCALE:	NTS	SHEET:
A	ORIGINAL DRAFT	04/05/04	TMB	04/05/04			
REV	DESCRIPTION	DATE	INT	CAD #	TOOL #		1 of 1
				LI1806E101R-10-D			

Laird