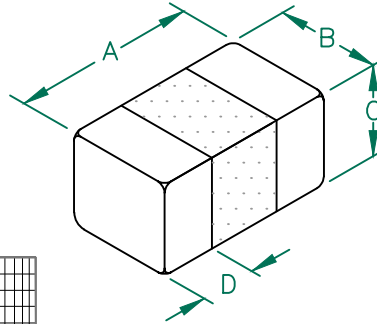


LI0402C470R-10

PHYSICAL DIMENSIONS:

A	1.00 [.040]	+ -	0.15 [.006]
B	0.50 [.020]	+ -	0.15 [.006]
C	0.50 [.020]	+ -	0.15 [.006]
D	0.30 [.012]	+ -	MAX.



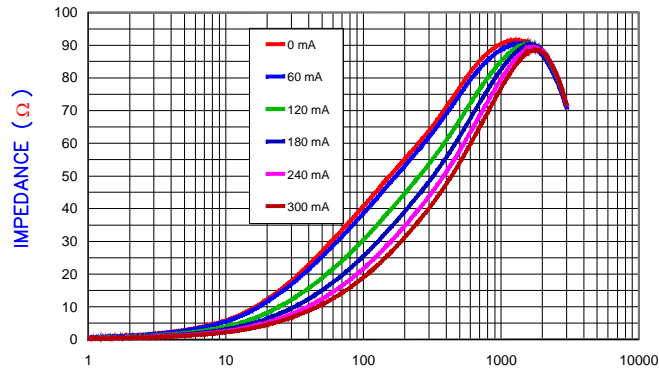
ELECTRICAL CHARACTERISTICS:

Z @ 100MHz (Ω)	DCR (Ω)	Rated Current
Nominal	47	
Minimum	35	
Maximum	59	300 mA

NOTES: UNLESS OTHERWISE SPECIFIED

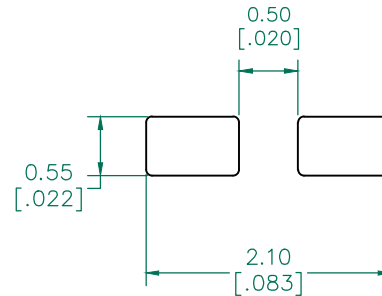
1. TAPED AND REELED per CURRENT EIA SPECIFICATIONS 7" REELS, 10,000 PCS/REEL, PAPER TAPE.
2. TERMINATION FINISH IS 100% TIN.
3. COMPONENTS SHOULD BE ADEQUATELY PREHEATED BEFORE SOLDERING.
4. OPERATING TEMP. RANGE: $-40^{\circ}\text{C} \sim +125^{\circ}\text{C}$. (INCLUDING SELF-HEATING)

Z vs FREQUENCY
IMPEDANCE UNDER DC BIAS

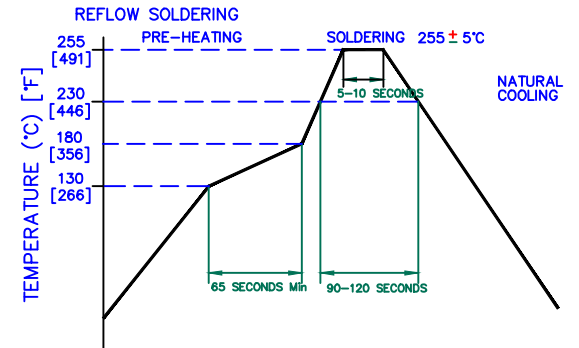


LAND PATTERNS FOR REFLOW SOLDERING

RECOMMENDED SOLDERING CONDITIONS

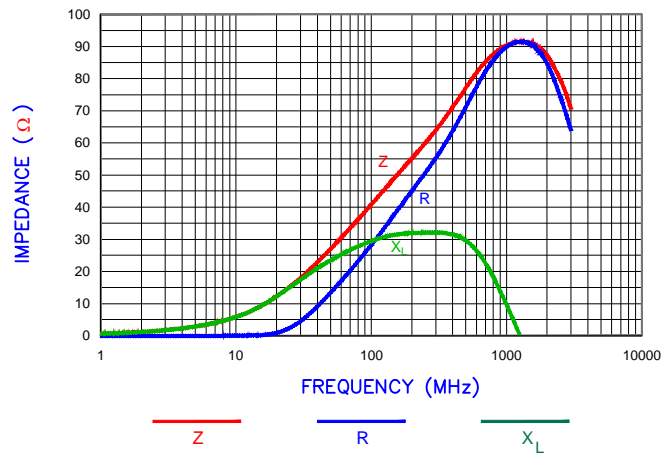


(For wave soldering, add 0.762 [.030] to this dimension.)



FREQUENCY (MHz)

|Z|, R, AND X vs. FREQUENCY



AGILENT E4991A RF Impedance/Material Analyzer
HP 16194A Test Fixture. TEST REF. 6231



DIMENSIONS ARE IN mm [INCHES].

This print is the property of Laird Tech. and is loaned in confidence subject to return upon request and with the understanding that no copies shall be made without the written consent of Laird Tech. All rights to design or invention are reserved.



D	ADD OPERATING TEMPERATURE UPDATE LAIRD LOGO AND REFLOW CURVE	08/05/13	QU	PROJECT/PART NUMBER	REV	PART TYPE	DRAWN BY:
C	UPDATE COMPANY LOGO	07/08/08	JRK	LI0402C470R-10	D	CO-FIRE	JRK
B	CORRECT DC BIAS CURVE DATA	07/27/07	JRK	DATE: 07/24/07	SCALE: NTS	SHEET: 1 of 1	
A	ORIGINAL DRAFT	07/24/07	JRK	CAD # LI0402D470R-10-D	TOOL # -		
REV	DESCRIPTION	DATE	INT				