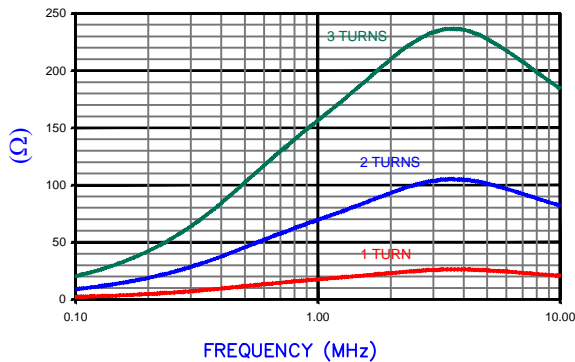
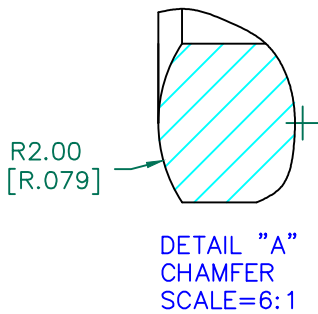


SECTION A-A
SEE DETAIL "A"

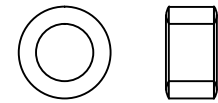
Z vs. FREQUENCY
1 TURN, 2, AND 3 TURNS
(REF. ONLY)



AGILENT E4991A RF Impedance/Material Analyzer
HP 16092A Test Fixture REF # 2491



SCALE DRAWING 1:1



LFB127079-000

IMPEDANCE (Z) NET^{SEE NOTE 1}

FREQUENCY	500 KHz	1 MHz	5 MHz
NOMINAL (REF.) 1 TURN	9 Ω	16 Ω	25 Ω
MINIMUM (SPEC.) 1 TURN	- Ω	12 Ω	- Ω
NOMINAL (REF.) 2 TURNS	45 Ω	70 Ω	102 Ω
NOMINAL (REF.) 3 TURNS	100 Ω	158 Ω	228 Ω

TEST CRITERIA

METER HP4396A OR EQUIVALENT
FIXTURE HP16092A OR EQUIVALENT

NOTES:

1. NET IMPEDANCE IS IMPEDANCE OF THE FERRITE CORE ONLY. ALL IMPEDANCE CONTRIBUTION FROM TEST WIRE AND FIXTURES HAS BEEN REMOVED.
2. COSMETIC SPECIFICATION REFER TO WI-QA-038.

FERRITE CORE DIMENSIONS (SPEC):

A	12.70 [.500]	±	0.40 [.016]
B	7.92 [.312]	±	0.40 [.016]
C	7.00 [.276]	±	0.35 [.014]

WEIGHT/1000 2.65 kgs [5.84 Lbs]

DIMENSIONS ARE IN mm [INCHES].				This print is the property of Laird Tech. and is loaned in confidence subject to return upon request and with the understanding that no copies shall be made without the written consent of Laird Tech. All rights to design or invention are reserved.		Laird	
E	UPDATE TOLERANCE AND DETAIL A	06/23/17	QIU	PROJECT/PART NUMBER:	LFB127079-000	REV	E
D	UPDATE COMPANY LOGO	07/13/08	TMB	PART TYPE:	FERRITE CORE	DRAWN BY:	TMB
C	REMOVE MIN SPEC @ 500 KHz	02/10/06	TMB	DATE:	09/26/02	SCALE:	3:1
B	UPDATE TOLS. ON DIMENSIONS A,B&C ADD TEST REF TO CURVE	12/22/04	JRK	MATERIAL:	LF	TOOL #	B0500
A	ORIGINAL DRAFT	09/26/02	TMB	CAD #	LFB127079-000-E		
REV	DESCRIPTION	DATE	INT				