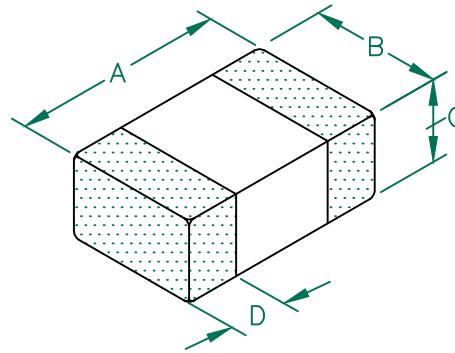


# IC0805B332R-10

## PHYSICAL DIMENSIONS:

A	2.00 [.079]	+ 0.20 [.008]
B	1.25 [.049]	+ 0.20 [.008]
C	1.25 [.049]	+ 0.20 [.008]
D	0.50 [.020]	+ 0.30 [.012]



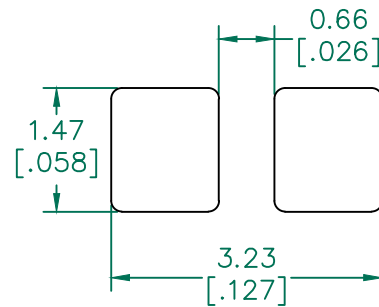
## ELECTRICAL CHARACTERISTICS:

L (nH) ± 10%	3630	Max
	3300	Nom
	2970	Min
Q (Min)	45	
Freq. (MHz)	10	
Self-Resonant Freq (MHz)	41	
DCR(Max) $\Omega$	0.80	
I (Max)	200mA	

## NOTES: UNLESS OTHERWISE SPECIFIED

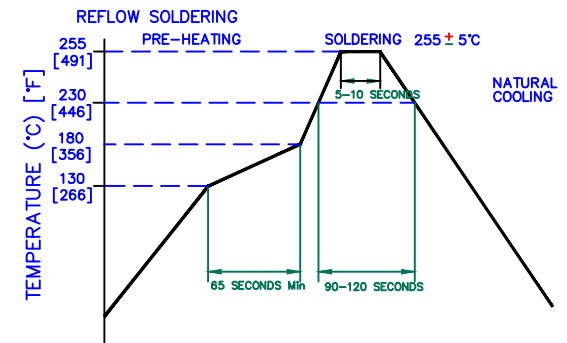
1. TAPED AND REELED per CURRENT EIA SPECIFICATIONS 7" REELS, 3000 PCS/REEL, EMBOSSED PLASTIC TAPE.
2. TERMINATION FINISH IS 100% MATTE Sn OVER Ni.
3. COMPONENTS SHOULD BE ADEQUATELY PREHEATED BEFORE SOLDERING.
4. I (MAX.) IS BASED ON THE MAXIMUM SUSTAINED CURRENT APPLIED WHILE MAINTAINING A MAXIMUM TEMPERATURE RISE OF 40°C OVER AMBIENT.
5. OPERATING TEMP. RANGE: -40°C~+125°C. (INCLUDING SELF-HEATING)

## LAND PATTERNS FOR REFLOW SOLDERING



(For wave soldering, add 0.763 [.030] to this dimension.)

## RECOMMENDED SOLDERING CONDITIONS



DIMENSIONS ARE IN mm [INCHES].				This print is the property of Laird Tech. and is loaned in confidence subject to return upon request and with the understanding that no copies shall be made without the written consent of Laird Tech. All rights to design or invention are reserved.			
C	REMOVE NOTE 5	07/21/16	QU	PROJECT/PART NUMBER:	REV	PART TYPE:	DRAWN BY:
B	ADD OPERATING TEMPERATURE UPDATE LAIRD LOGO AND REFLOW CURVE	08/05/13	QU	IC0805B332R-10	C	CO-FIRE	JRK
A	ORIGINAL DRAFT	08/28/08	JRK	DATE:	08/28/08	SCALE:	NTS
REV	DESCRIPTION	DATE	INT	CAD #	IC0805B332R-10-C	TOOL #	-
						SHEET: 1 of 1	

