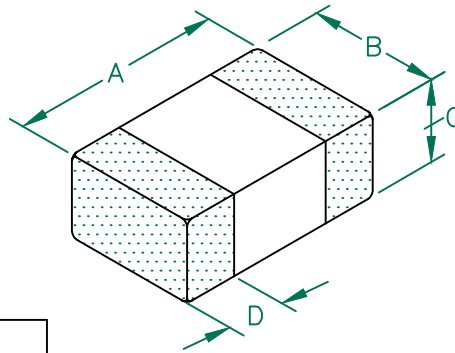


IC0805B102R-10

PHYSICAL DIMENSIONS:

A	2.00 [.079]	+ 0.20[.008]
B	1.25 [.049]	+ 0.20[.008]
C	0.85 [.033]	+ 0.20[.008]
D	0.50 [.020]	+ 0.30[.012]



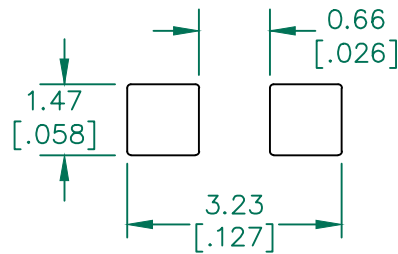
ELECTRICAL CHARACTERISTICS:

L (nH) ± 10%	1,100	Max
	1,000	Nom
	900	Min
Q (Min)	45	
Freq. (MHz)	10	
Self-Resonant Freq (MHz)	75	
DCR(Max) Ω	0.40	
I (Max)	250 mA	

NOTES: UNLESS OTHERWISE SPECIFIED

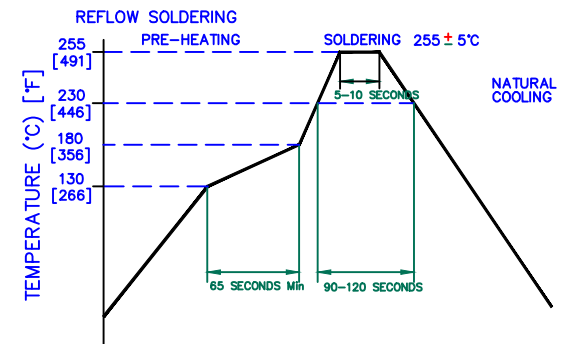
1. TAPED AND REELED per CURRENT EIA SPECIFICATIONS 7" REELS, 4000 PCS/REEL, EMBOSSED PLASTIC TAPE.
2. TERMINATION FINISH IS 100% MATTE Sn OVER Ni.
3. COMPONENTS SHOULD BE ADEQUATELY PREHEATED BEFORE SOLDERING.
4. I (MAX.) IS BASED ON THE MAXIMUM SUSTAINED CURRENT APPLIED WHILE MAINTAINING A MAXIMUM TEMPERATURE RISE OF 40°C OVER AMBIENT.
5. OPERATING TEMP. RANGE: -40°C~+125°C. (INCLUDING SELF-HEATING)

LAND PATTERNS FOR REFLOW SOLDERING



(For wave soldering, add 0.763 [.030] to this dimension.)

RECOMMENDED SOLDERING CONDITIONS



DIMENSIONS ARE IN mm [INCHES].				This print is the property of Laird Tech. and is loaned in confidence subject to return upon request and with the understanding that no copies shall be made without the written consent of Laird Tech. All rights to design or invention are reserved.			
F	REMOVE NOTE 5	07/21/16	QU				
E	ADD OPERATING TEMPERATURE UPDATE LAIRD LOGO AND REFLOW CURVE	08/05/13	QU				
D	UPDATE COMPANY LOGO	06/23/08	JRK				
C	MODIFY NOTES & UPDATE ROHS SYMBOL, CHANGE C & D DIMENSION	01/17/07	JRK				
B	CORRECT LANDPATTERN DIMENSION	02/02/06	JRK				
A	ORIGINAL DRAFT	11/09/05	JRK	PROJECT/PART NUMBER:	REV:	PART TYPE:	DRAWN BY:
REV	DESCRIPTION	DATE	INT	IC0805B102R-10	F	CO-FIRE	JRK
				DATE:	SCALE:	NTS	SHEET:
				11/09/05			1 of 1
				CAD #	TOOL #		
				IC0805B102R-10-F			