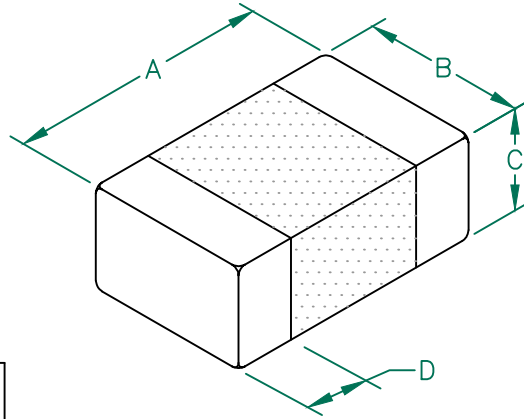


IC0805B101R-10

PHYSICAL DIMENSIONS:

A	2.00 [.079]	\pm 0.20[.008]
B	1.25 [.049]	\pm 0.20[.008]
C	0.85 [.033]	\pm 0.20[.008]
D	0.50 [.020]	\pm 0.30[.012]



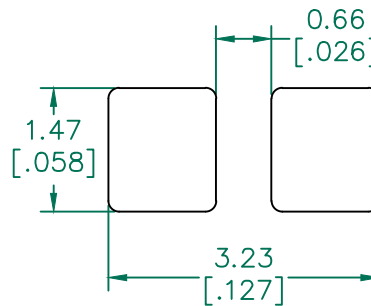
ELECTRICAL CHARACTERISTICS:

L (nH) \pm 10%	110	Max
	100	Nom
	90	Min
Q (Min)	20	
Freq. (MHz)	25	
Self-Resonant Freq (MHz)	235	
DCR(Max) Ω	0.30	
I (Max)	250mA	

NOTES: UNLESS OTHERWISE SPECIFIED

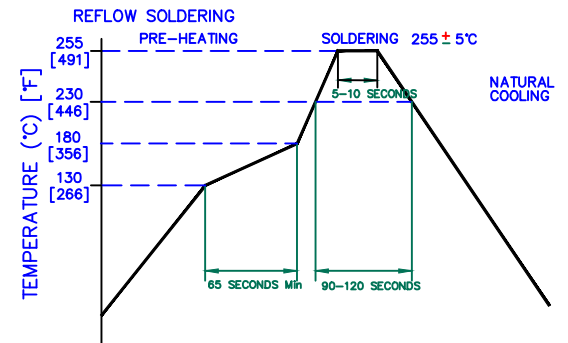
1. TAPED AND REELED per CURRENT EIA SPECS. 7" REELS 4000 PCS/REEL, EMBOSSED PLASTIC TAPE.
2. TERMINATION FINISH IS 100% MATTE Sn OVER Ni.
3. COMPONENTS SHOULD BE ADEQUATELY PREHEATED BEFORE SOLDERING.
4. I (MAX.) IS BASED ON THE MAXIMUM SUSTAINED CURRENT APPLIED WHILE MAINTAINING A MAXIMUM TEMPERATURE RISE OF 40°C OVER AMBIENT.
5. OPERATING TEMP. RANGE: -40°C~+125°C. (INCLUDING SELF-HEATING)

LAND PATTERNS FOR REFLOW SOLDERING



(For wave soldering, add 0.762[.030] to this dimension)

RECOMMENDED SOLDERING CONDITIONS



DIMENSIONS ARE IN mm [INCHES].				This print is the property of Laird Tech. and is loaned in confidence subject to return upon request and with the understanding that no copies shall be made without the written consent of Laird Tech. All rights to design or invention are reserved.			
E	REMOVE NOTE 5	07/21/16	QU	PROJECT/PART NUMBER: IC0805B101R-10	REV	PART TYPE:	DRAWN BY:
D	ADD OPERATING TEMPERATURE UPDATE LAIRD LOGO AND REFLOW CURVE	08/05/13	QU		E	CO-FIRE	JRK
C	UPDATE COMPANY LOGO	06/23/08	JRK		DATE:	SCALE:	SHEET:
B	REM KO FROM P/N CHG C & D DIM UPDATE NOTES, REV LAND PATTERN DIMS, ADD OPERATING TEMP TO ELECTRICAL	01/17/07	JRK		05/11/04	NTS	1 of 1
A	ORIGINAL DRAFT	05/11/04	JRK	CAD #	TOOL #		
REV	DESCRIPTION	DATE	INT	IC0805B101R-10-E			