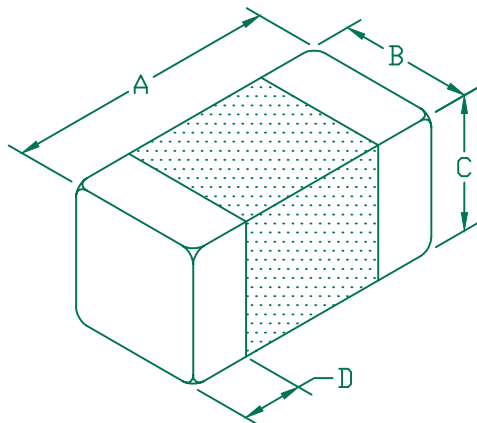


# IC0805A822R-10

## PHYSICAL DIMENSIONS:

A	2.00 [.079]	+ 0.20 [.008]
B	1.25 [.049]	+ 0.20 [.008]
C	1.25 [.049]	+ 0.20 [.008]
D	0.50 [.020]	+ 0.30 [.012]



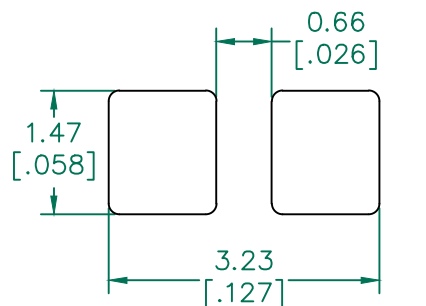
## ELECTRICAL CHARACTERISTICS:

L (nH) ± 10%	9,020	Max
	8,200	Nom
	7,380	Min
Q (Min)	45	
Freq. (MHz)	4	
Self-Resonant Freq (MHz)	26	
DCR(Max) $\Omega$	1.10	
I (Max)	100mA	

NOTES: UNLESS OTHERWISE SPECIFIED

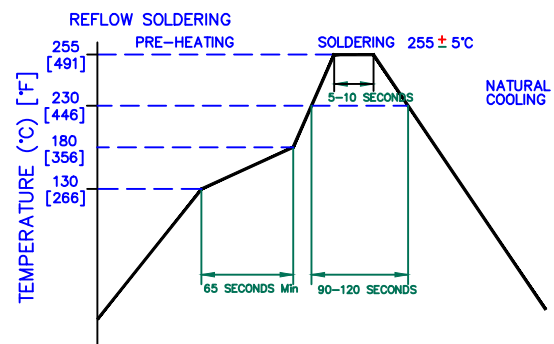
1. TAPED AND REELED per CURRENT EIA SPECIFICATIONS 7" REELS 3000 PCS/REEL, EMBOSSED PLASTIC TAPE.
2. TERMINATION FINISH IS 100% MATTE Sn OVER Ni.
3. COMPONENTS SHOULD BE ADEQUATELY PREHEATED BEFORE SOLDERING.
4. I (MAX.) IS BASED ON THE MAXIMUM SUSTAINED CURRENT APPLIED WHILE MAINTAINING A MAXIMUM TEMPERATURE RISE OF 40°C OVER AMBIENT.
5. OPERATING TEMP. RANGE: -40°C~+125°C. (INCLUDING SELF-HEATING)

## LAND PATTERNS FOR REFLOW SOLDERING



(For wave soldering, add 0.763 [.030] to this dimension.)

## RECOMMENDED SOLDERING CONDITIONS



DIMENSIONS ARE IN mm [INCHES].				This print is the property of Laird Tech. and is loaned in confidence subject to return upon request and with the understanding that no copies shall be made without the written consent of Laird Tech. All rights to design or invention are reserved.			
F	REMOVE NOTE 5	07/21/16	QU	PROJECT/PART NUMBER: <b>IC0805A822R-10</b>	REV	PART TYPE:	DRAWN BY:
E	ADD OPERATING TEMPERATURE UPDATE LAIRD LOGO AND REFLOW CURVE	08/05/13	QU		F	CO-FIRE	JRK
D	UPDATE COMPANY LOGO	06/23/08	JRK		DATE:	SCALE:	SHEET:
C	CHANGE NOTES ADD EMBOSSED PLASTIC REV ELECT. VALUES CHG D DIMS & TOLS	01/17/07	JRK		10/22/04	NTS	
B	CHG P/N ADD @15mA TO MIN L & ADD I (OPERATING) TO ELECT BOX UPDATE LANDPATTERN DIMS REV/ADD NOTES	12/29/05	TMB		CAD #	TOOL #	
A	ORIGINAL DRAFT	10/22/04	JRK		IC0805A822R-10-F		
REV	DESCRIPTION	DATE	INT				1 of 1