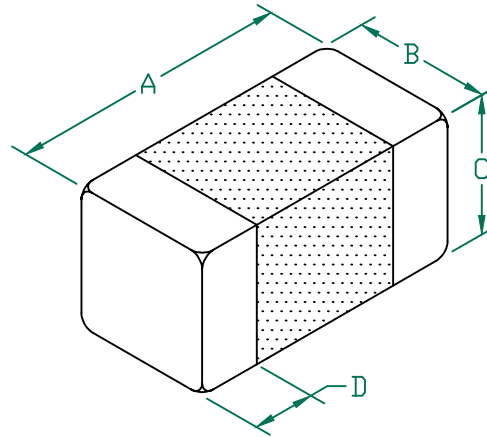


IC0603A182R-10

PHYSICAL DIMENSIONS:

A	1.60 [.063]	+ 0.15 [.006]
B	0.80 [.031]	+ 0.15 [.006]
C	0.80 [.031]	+ 0.15 [.006]
D	0.30 [.012]	+ 0.20 [.008]



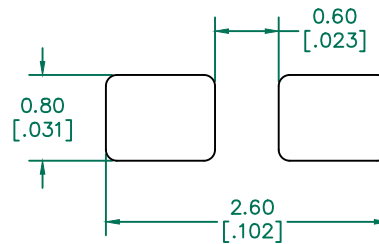
NOTES: UNLESS OTHERWISE SPECIFIED

1. TAPED AND REELED per CURRENT EIA SPECIFICATIONS 7" REELS, 4000 PCS/REEL, PAPER TAPE.
2. TERMINATION FINISH IS 100% MATTE Sn OVER Ni.
3. COMPONENTS SHOULD BE ADEQUATELY PREHEATED BEFORE SOLDERING.
4. I (MAX.) IS BASED ON THE MAXIMUM SUSTAINED CURRENT APPLIED WHILE MAINTAINING A MAXIMUM TEMPERATURE RISE OF 40°C OVER AMBIENT.
5. OPERATING TEMP. RANGE: -40°C~+125°C. (INCLUDING SELF-HEATING)

ELECTRICAL CHARACTERISTICS:

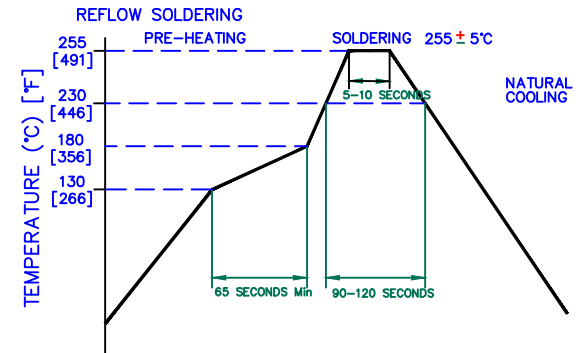
L (nH) ± 10%	1,980	Max
	1,800	Nom
	1,620	Min
Q (Min)	30	
Freq. (MHz)	10	
Self-Resonant Freq (MHz)	50	
DCR(Max) Ω	0.95	
I (Max)	100mA	

LAND PATTERNS FOR REFLOW SOLDERING



(For wave soldering, add 0.762[.030] to this dimension)

RECOMMENDED SOLDERING CONDITIONS



DIMENSIONS ARE IN mm [INCHES]				This print is the property of Laird Tech. and is loaned in confidence subject to return upon request and with the understanding that no copies shall be made without the written consent of Laird Tech. All rights to design or invention are reserved.			
E	REMOVE NOTE 5	07/21/16	QU				
D	ADD OPERATING TEMPERATURE UPDATE LAIRD LOGO AND REFLOW CURVE	08/05/13	QU				
C	UPDATE COMPANY LOGO	03/25/08	JRK				
B	REMOVE KO FROM P/N ADD NOTES CHG Q &SRF VALUES CHG D DIMENSION	01/16/07	JRK				
A	ORIGINAL DRAFT	03/26/01	JRK				
PROJECT/PART NUMBER: IC0603A182R-10				REV: E	PART TYPE: CO-FIRE	DRAWN BY: JRK	
DATE: 03/26/01				SCALE: NTS	SHEET: 1 of 1		
CAD #				TOOL #			
REV	DESCRIPTION	DATE	INT	IC0603A182R-10-E			