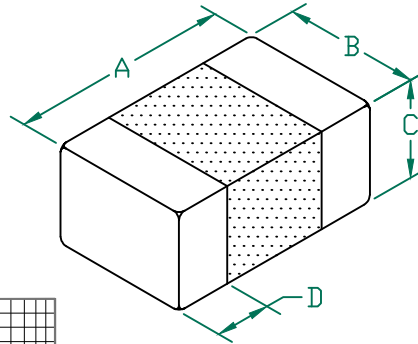


# HZ0805B222R-11

## PHYSICAL DIMENSIONS:

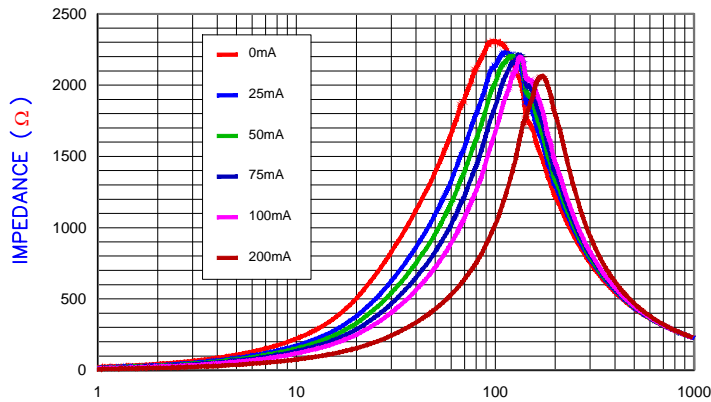
A	2.00 [ .079 ]	+ 0.20 [ .008 ]
B	1.25 [ .049 ]	+ 0.20 [ .008 ]
C	0.89 [ .035 ]	+ 0.20 [ .008 ]
D	0.51 [ .020 ]	+ 0.25 [ .010 ]



## ELECTRICAL CHARACTERISTICS:

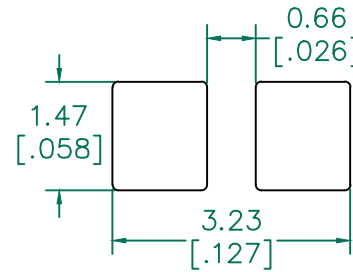
Z @ 100MHz ( Ω )	DCR ( Ω )	Rated Current
Nominal	2200	
Minimum	1650	
Maximum	2750	200 mA

Z vs FREQUENCY  
IMPEDANCE UNDER DC BIAS



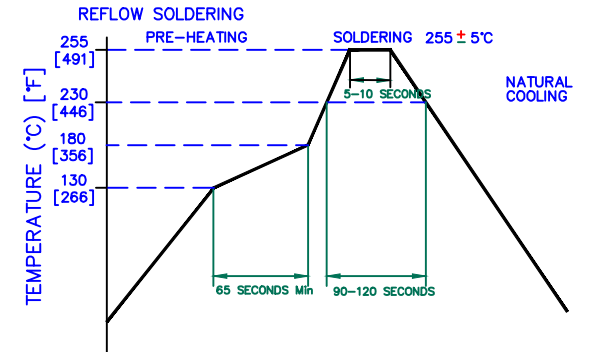
FREQUENCY (MHz)

## LAND PATTERNS FOR REFLOW SOLDERING

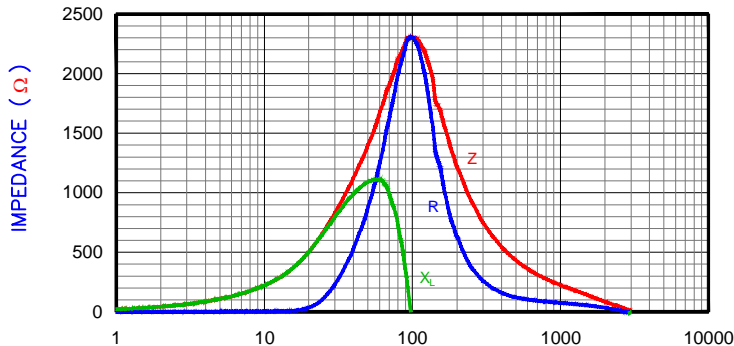


(For wave soldering, add 0.763 [.030] to this dimension.)

## RECOMMENDED SOLDERING CONDITIONS



|Z|, R, AND X vs. FREQUENCY



FREQUENCY (MHz)

— Z — R — X<sub>L</sub>

RoHS

AGILENT E4991A RF Impedance/Material Analyzer  
HP 16194A Test Fixture. TEST REF. 5569

DIMENSIONS ARE IN mm [INCHES].				This print is the property of Laird Tech. and is loaned in confidence subject to return upon request and with the understanding that no copies shall be made without the written consent of Laird Tech. All rights to design or invention are reserved.			
				<b>Laird</b>			
PROJECT/PART NUMBER: HZ0805B222R-11				REV A	PART TYPE: CO-FIRE	DRAWN BY: QIU	
DATE: 05/22/18				SCALE: NTS		SHEET:	
A	ORIGINAL DRAFT	05/22/18	QIU	CAD #		TOOL #	
REV	DESCRIPTION	DATE	INT	HZ0805B222R-11-A		1 of 1	