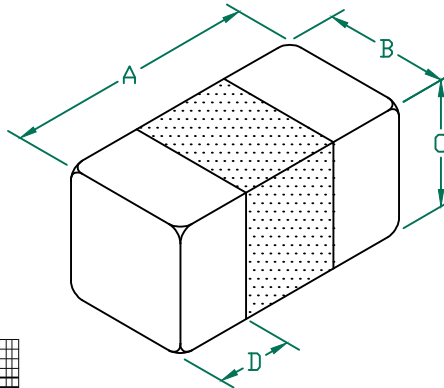


# HZ0402B102R-10

## PHYSICAL DIMENSIONS:

A	1.01 [.040]	+	0.18 [.007]
B	0.50 [.020]	+	0.20 [.008]
C	0.50 [.020]	+	0.20 [.008]
D	0.30 [.012]		MAX.

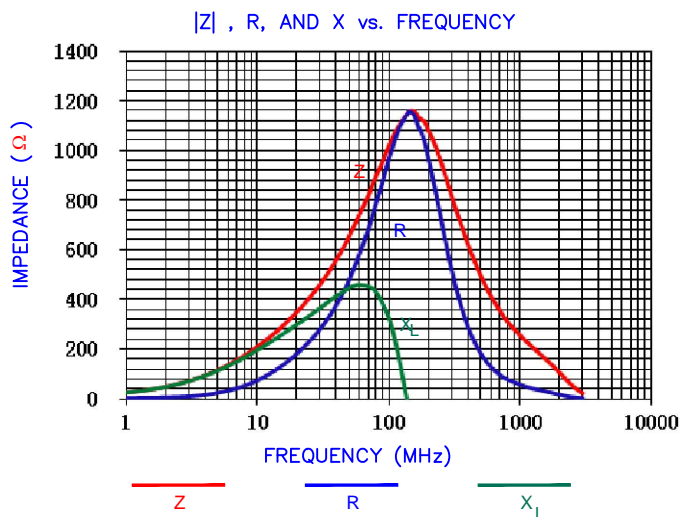
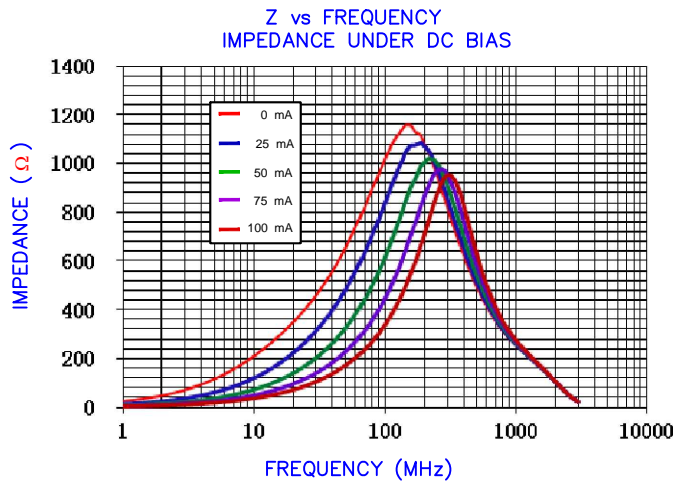


## ELECTRICAL CHARACTERISTICS:

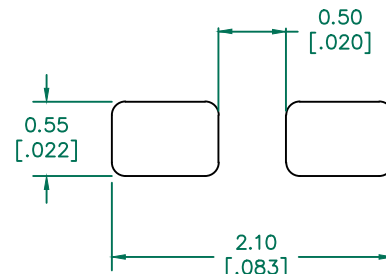
Z @ 100MHz ( $\Omega$ )		DCR ( $\Omega$ )	RATED CURRENT
Nominal	1000		
Minimum	750		
Maximum	1250	1.00	200mA

NOTES: UNLESS OTHERWISE SPECIFIED

1. TAPED AND REELED PER CURRENT EIA SPECIFICATIONS, 7" REELS, 10K PIECES PER REEL, PAPER CARRIER TAPE.
2. TERMINATION FINISH IS 100% TIN.
3. COMPONENTS SHOULD BE ADEQUATELY PREHEATED BEFORE SOLDERING.
4. OPERATING TEMPERATURE TEMP:  $-40^{\circ}\text{C} \sim +125^{\circ}\text{C}$  (INCLUDING SELF-HEATING)

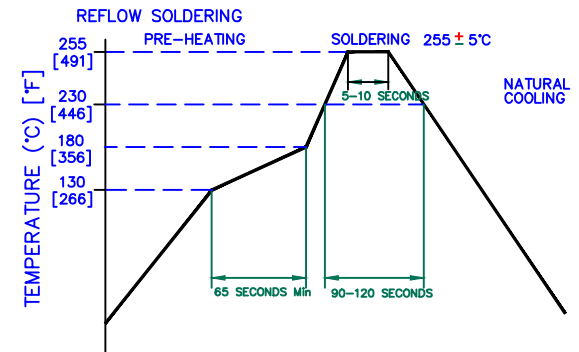


## LAND PATTERNS FOR REFLOW SOLDERING



(For wave soldering, add 0.763 (.030 to this dimension.)

## RECOMMENDED SOLDERING CONDITIONS



DIMENSIONS ARE IN mm [INCHES].				This print is the property of Laird Tech. and is loaned in confidence subject to return upon request and with the understanding that no copies shall be made without the written consent of Laird Tech. All rights to design or invention are reserved.	
D	UPDATE Z R X AND DC BIAS CURVE	08/19/15	QU	PROJECT/PART NUMBER:	<b>Laird</b>
C	ADD OPERATING TEMPERATURE UPDATE LAIRD LOGO AND REFLOW CURVE	08/05/13	QU	HZ0402B102R-10	
B	UPDATE COMPANY LOGO	02/15/08	JRK	DATE:	REV <b>D</b>
A	ORIGINAL DRAFT	03/21/06	JRK	03/21/06	PART TYPE: CO-FIRE
REV	DESCRIPTION	DATE	INT	HZ0402B102R-10-D	SCALE: NTS
				CAD #	SHEET: 1 of 1
				TOOL #	