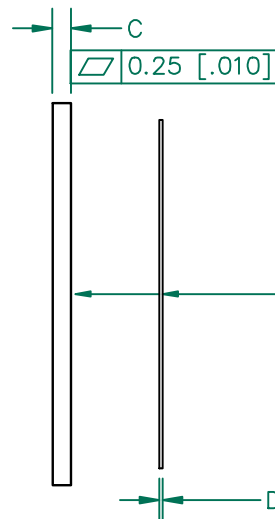
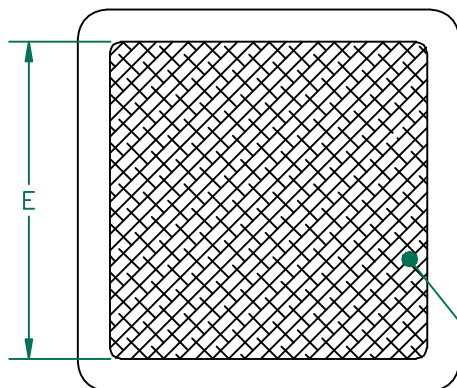
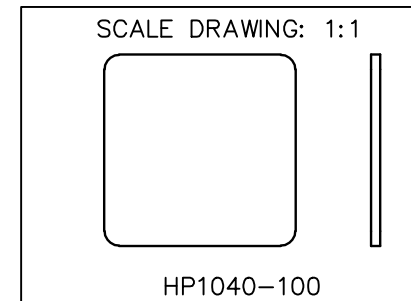


R 2.00 [.080]
4 PLCS



ADHESIVE TAPE



ADHESIVE TAPE

UNCONTROLLED DOCUMENT

NOTES:

1. CORE: HP1040-1B0.
2. ADHESIVE: P/N 21228.
3. REFERENCE 3M TAPE 468MP ADHESIVE TRANSFER TAPE OR ENGINEER APPROVED ALTERNATIVE.

DIMENSIONS:

A	26.42 [1.040]	±	0.38 [.015]
B	26.42 [1.040]	±	0.38 [.015]
C	1.27 [.050]	±	0.15 [.006]
D	0.13 [.005]		TYP.
E	21.97 [.865]		TYP.

WEIGHT/1000 4.36 kgs [9.62 Lbs]

DIMENSIONS ARE IN mm [INCHES].				This print is the property of Laird Tech. and is loaned in confidence subject to return upon request and with the understanding that no copies shall be made without the written consent of Laird Tech. All rights to design or invention are reserved.		Laird TECHNOLOGIES	
G	CHANGE D DIMENSION	07/10/09	JRK	REV	G	PART TYPE: FERRITE PLATE	DRAWN BY: DTR
F	REMOVE PULLTAB UPDATE NOTE #3	06/08/09	JRK	PROJECT/PART NUMBER:	HP1040-100		
E	UPDATE COMPANY LOGO AND NOTE #3	12/04/08	JRK	DATE:	02/11/98	SCALE: 2 : 1	MATERIAL: Ferrite
D	STANDARTIZE PRINT FORMAT	09/21/05	JRK	CAD #	HP1040-100-G	TOOL # P1040	
C	RE-ACTIVATE PRINT UPDATE FORMAT ADD NOTE	09/27/04	JRK	REV	G	PART TYPE: FERRITE PLATE	DRAWN BY: DTR
B	ADD NOTE 1, ADD NOTE 9 & CALL-OUT CHANGED DIM E, UPDATE PRINT FORMAT	08/25/99	JAJ	DATE:	02/11/98	SCALE: 2 : 1	MATERIAL: Ferrite
A	ORIGINAL DRAFT	02/11/98	DTR	CAD #	HP1040-100-G	TOOL # P1040	
REV	DESCRIPTION	DATE	INT				