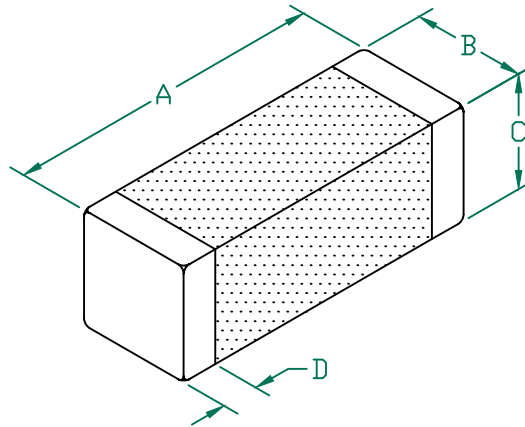


HI1806N910R-10

PHYSICAL DIMENSIONS:

A	4.50 [.177]	+ 0.25 [.010]
B	1.60 [.063]	+ 0.25 [.010]
C	1.60 [.063]	+ 0.25 [.010]
D	0.51 [.020]	+ 0.25 [.010]

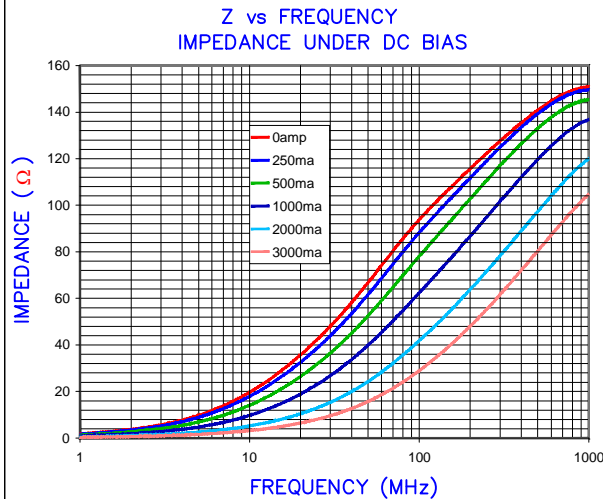


ELECTRICAL CHARACTERISTICS:

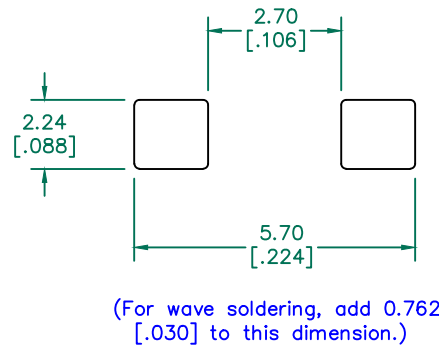
Z @ 100MHz (Ω)	DCR (Ω)	Rated Current
Nominal	91	
Minimum	68	
Maximum	114	0.030
		3000 mA

NOTES: UNLESS OTHERWISE SPECIFIED

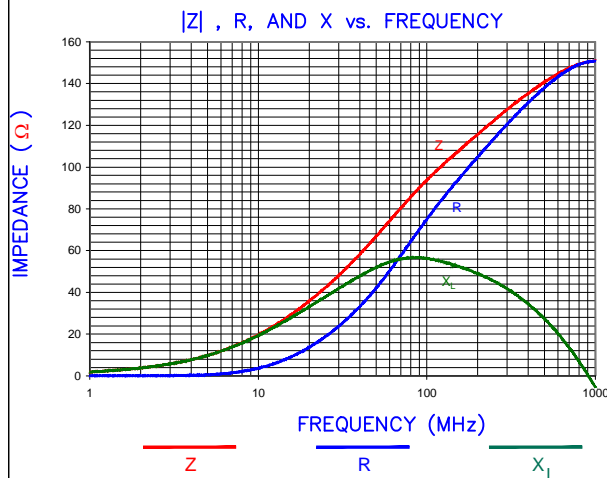
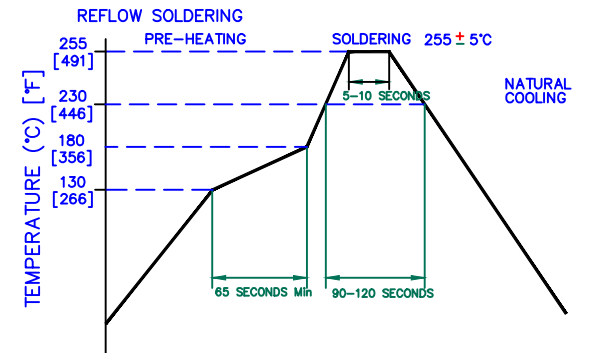
1. TAPED AND REELED per CURRENT EIA SPECIFICATIONS 7" REELS, 2,000 PCS/REEL.
2. COMPONENTS SHOULD BE ADEQUATELY PREHEATED BEFORE SOLDERING.
3. TERMINATION FINISH IS 100% TIN.
4. OPERATEING TEMPERATURE TEMP: $-40^{\circ}\text{C} \sim +125^{\circ}\text{C}$ (INCLUDING SELF-HEATING)



LAND PATTERNS FOR REFLOW SOLDERING



RECOMMENDED SOLDERING CONDITIONS



DIMENSIONS ARE IN mm [INCHES].				This print is the property of Laird Tech. and is loaned in confidence subject to return upon request and with the understanding that no copies shall be made without the written consent of Laird Tech. All rights to design or invention are reserved.			
E	ADD OPERATING TEMPERATURE UPDATE LAIRD LOGO AND REFLOW CURVE	08/05/13	QU	PROJECT/PART NUMBER: HI1806N910R-10	REV	PART TYPE:	DRAWN BY:
D	CHANGE B DIMENSION	06/25/09	JRK		E	CO-FIRE	JRK
C	CHG REEL QTY FROM 3K TO 2K UPDATE COMPANY LOGO	11/05/08	JRK		DATE:	SCALE:	SHEET:
B	UPDATE COMPANY LOGO ADD ROHS	01/18/08	JRK		04/15/04	NTS	1 of 1
A	ORIGINAL DRAFT	04/15/04	JRK		CAD #	TOOL #	
REV	DESCRIPTION	DATE	INT	HI1806N910R-10-E			

