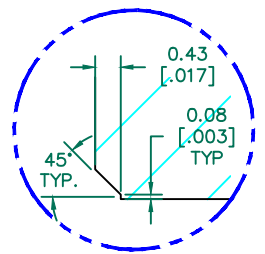


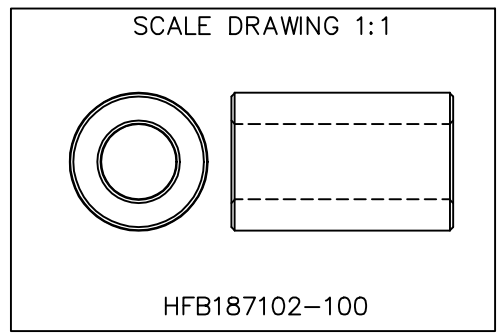
SEE DETAIL "A"



DETAIL "A"
CHAMFER
SCALE=4:1

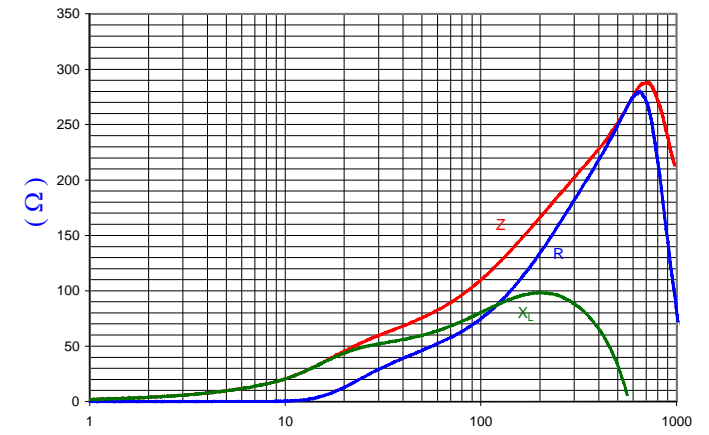
NOTES: UNLESS OTHERWISE SPECIFIED

1. COSMETIC SPECIFICATION REFER TO WI-QA-038.



NET IMPEDANCE (Z)			
Frequency	300 MHz	500 MHz	1 GHz
Nominal (REF)	205 Ω	250 Ω	210 Ω
Minimum	- Ω	200 Ω	- Ω

NET Z,R AND X vs. FREQUENCY
(REF. ONLY)



AGILENT E4991A Impedance/Material Analyzer
HP 16092A-Test Fixture

FERRITE CORE DIMENSIONS (SPEC) MM [Inches]:

A	18.67 [.735]	+ 0.36 [.014]
B	10.16 [.400]	+ 0.20 [.008]
C	30.00 [1.181]	+ 0.61 [.024]

WEIGHT/1000 28.49 kgs [62.82 Lbs]

DIMENSIONS ARE IN mm [INCHES].				This print is the property of Laird Tech. and is loaned in confidence subject to return upon request and with the understanding that no copies shall be made without the written consent of Laird Tech. All rights to design or invention are reserved.		Laird	
				PROJECT/PART NUMBER:		REV	DRAWN BY:
C	UPDATE COMPANY LOGO	01/07/13	QIU	HFB187102-100		C	JRK
B	UPDATE PRINT FORMAT & Z SPECS	03/28/03	JRK	DATE: 10/14/02	SCALE: 2:1		MATERIAL:
A	ORIGINAL DRAFT	10/14/02	JRK	CAD #	TOOL #		HF
REV	DESCRIPTION	DATE	INT	HFB187102-100-C	B0735		