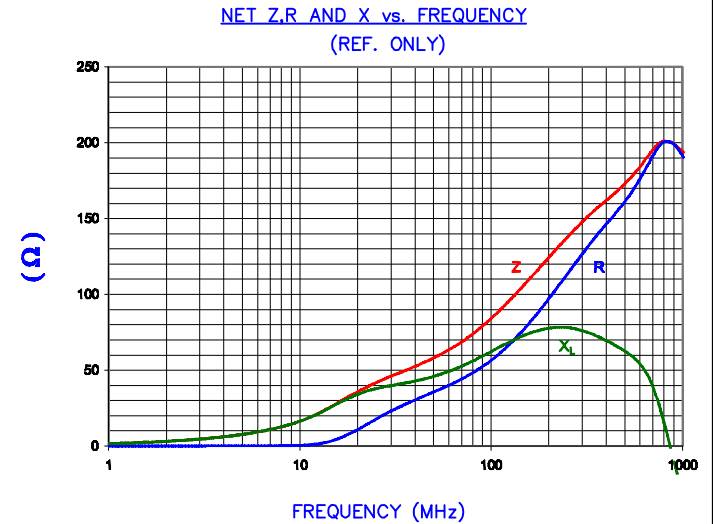


DETAIL "A"
CHAMFER
SCALE=8:1

**UNCONTROLLED
DOCUMENT**

NET IMPEDANCE (Z)			
Frequency	300 MHz	500 MHz	1 GHz
Nominal (REF)	150 Ω	175 Ω	195 Ω
Minimum	- Ω	140 Ω	- Ω

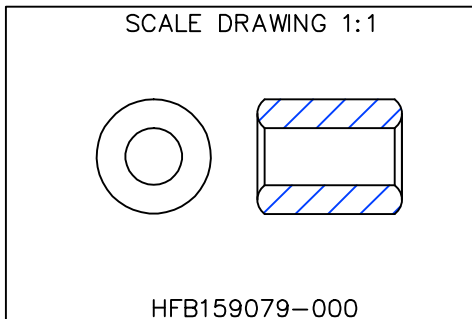


AGILENT E4991A Impedance/Material Analyzer
HP 16092A-Test Fixture

FERRITE CORE DIMENSIONS (SPEC) MM[Inches]:

A	15.88 [.625]	±	0.30 [.012]
B	7.87 [.310]	±	0.15 [.006]
C	20.00 [.787]	±	0.41 [.016]

WEIGHT/1000 14.62 kgs [32.23 Lbs]



DIMENSIONS ARE IN mm [INCHES].				This print is the property of Laird Tech. and is loaned in confidence subject to return upon request and with the understanding that no copies shall be made without the written consent of Laird Tech. All rights to design or invention are reserved.		Laird	
C	UPDATE CHAMFER	03/20/13	QIU	PROJECT/PART NUMBER: HFB159079-000		REV C	DRAWN BY: JRK
B	UPDATE PRINT FORMAT & Z SPECS	03/26/03	JRK	DATE: 10/14/02	SCALE: 2:1	MATERIAL: HF	
A	ORIGINAL DRAFT	10/14/02	JRK	CAD # HFB159079-000-C	TOOL # B0625		
REV	DESCRIPTION	DATE	INT				