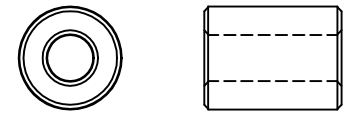
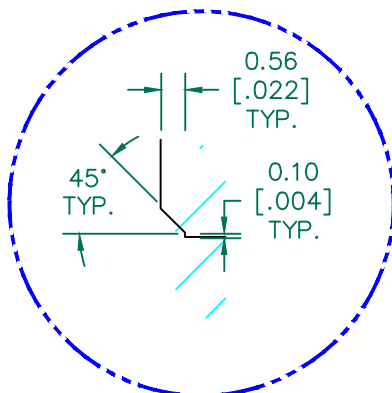


RoHS

SCALE DRAWING 1:1



HFB143064-200



CHAMFER
DETAIL "A"
SCALE= 6:1

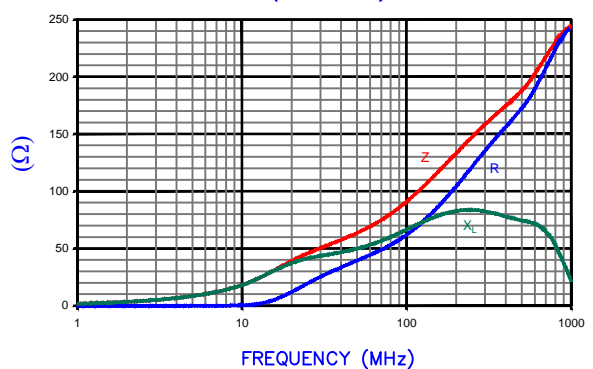
IMPEDANCE (Z) NET ^{SEE NOTE 1}

FREQUENCY	300 MHz	500 MHz	1 GHz
# TURNS	1	1	1
NOMINAL (REF.)	158 Ω	187 Ω	243 Ω
MINIMUM (SPEC.)	- Ω	150 Ω	- Ω

TEST CRITERIA

METER	AGILENT E4991A
FIXTURE	HP16192A-CNZ
WIRE	N/A
PROCEDURE #	CQA - SOP 1391 "CNZ IMPEDANCE TESTING"

Z , R, AND X vs. FREQUENCY
(REF. ONLY)



AGILENT E4991A RF Impedance/Material Analyzer
HP 16192A-CNZ Test Fixture

NOTES: UNLESS OTHERWISE SPECIFIED

- NET IMPEDANCE IS IMPEDANCE OF THE FERRITE CORE ONLY. ALL IMPEDANCE CONTRIBUTION FROM TEST WIRE AND FIXTURES HAS BEEN REMOVED.
- COSMETIC SPECIFICATION REFER TO WI-QA-038.

FERRITE CORE DIMENSIONS (SPEC):

A	14.27 [.562]	±	0.29 [.011]
B	6.35 [.250]	±	0.13 [.005]
C	19.00 [.748]	±	0.38 [.015]

WEIGHT/1000 11.94 kgs [26.32 Lbs]

DIMENSIONS ARE IN mm [INCHES].				This print is the property of Laird Tech. and is loaned in confidence subject to return upon request and with the understanding that no copies shall be made without the written consent of Laird Tech. All rights to design or invention are reserved.							
C	UPDATE LOGO	08/29/16	QIU	PROJECT/PART NUMBER:	HFB143064-200			REV	C	PART TYPE:	FERRITE CORE
B	RE-ACTIVATE PRINT, UPDATE COMPANY LOGO AND Z SPEC@500 MHZ MIN.	09/26/07	JRK	DATE:	08/20/02	SCALE:	2 : 1	MATERIAL:	HF		
A	ORIGINAL DRAFT	08/20/02	TMB	CAD #	HFB143064-200-C	TOOL #	B0562				
REV	DESCRIPTION	DATE	INT								