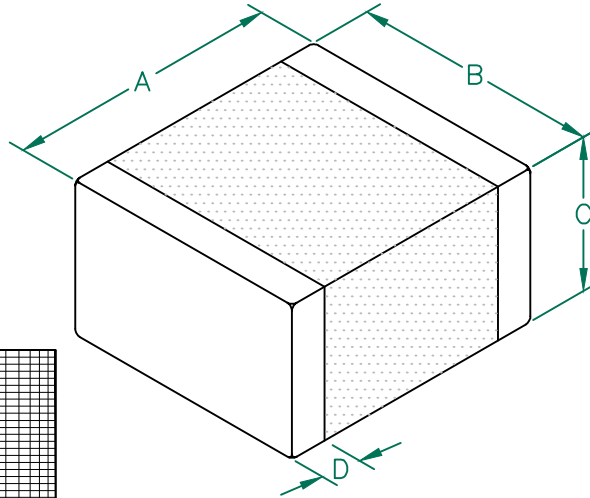


DI2220V301R-10

PHYSICAL DIMENSIONS:

A	5.59 [.220]	+ 0.51 [.020]
B	5.08 [.200]	+ 0.25 [.010]
C	3.61 [.142]	+ 0.25 [.010]
D	0.76 [.030]	+ 0.25 [.010]



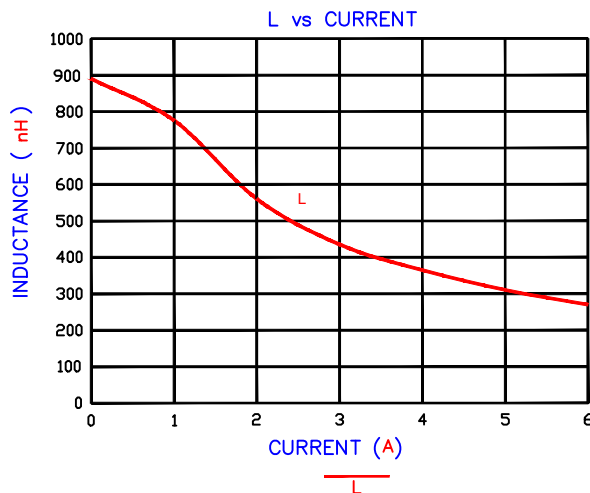
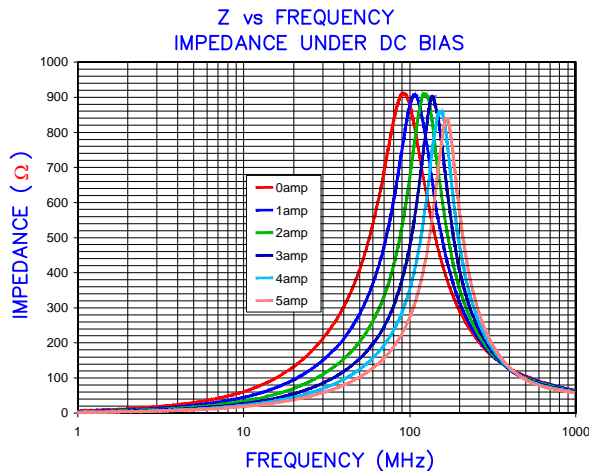
ELECTRICAL CHARACTERISTICS:

L @ 5 Amps (nH)	DCR (Ω)	Rated Current
Nominal	300	
Minimum	270	
Maximum	330	8000 mA

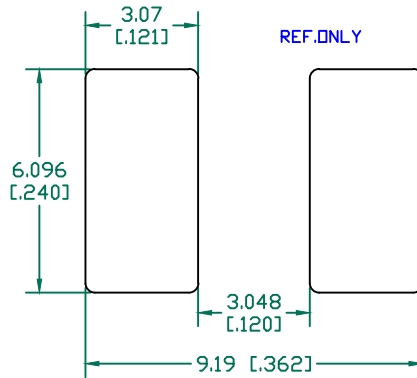
* AS MEASURED IN CIRCUIT @ 2MHz

NOTES: UNLESS OTHERWISE SPECIFIED

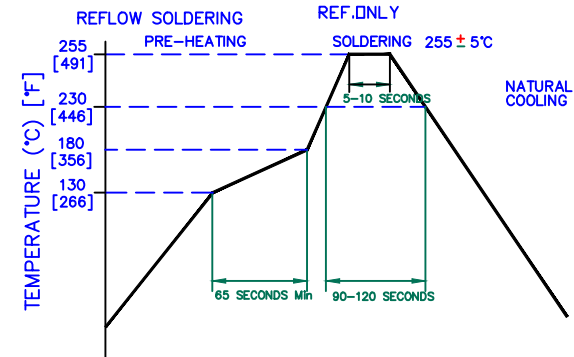
1. TAPED AND REELED per CURRENT EIA SPECIFICATIONS 13" REELS, 2,000 PCS/REEL.
2. TERMINATION FINISH IS 100% TIN.
3. COMPONENTS SHOULD BE ADEQUATELY PREHEATED BEFORE SOLDERING.
4. U.S. PATENT 6,249,205B1 SHOULD APPEAR ON THE LABEL OF EACH REEL OF PACKAGED PARTS.
5. OPERATING TEMPERATURE TEMP: -40°C~+125°C (INCLUDING SELF-HEATING)
6. COSMETIC SPECIFICATION REFER TO WI-QA-124.



LAND PATTERNS FOR REFLOW SOLDERING



(For wave soldering, add 0.762 [.030] to this dimension.)



DIMENSIONS ARE IN mm [INCHES].

This print is the property of Laird Tech. and is loaned in confidence subject to return upon request and with the understanding that no copies shall be made without the written consent of Laird Tech. All rights to design or invention are reserved.



D	OPERATING TEMPERATURE UPDATE LAIRD LOGO AND REFLOW CURVE	08/05/13	QU	PROJECT/PART NUMBER: DI2220V301R-10	REV D	PART TYPE: CO-FIRE	DRAWN BY: QU
C	UPDATE COMPANY LOGO	05/22/09	JRK	DATE: 08/05/13	SCALE: NTS	SHEET: 1 of 1	
B	UPDATE COMPANY LOGO, ADD ROHS	01/10/08	JRK	CAD #	TOOL #		
A	ORIGINAL DRAFT	04/02/04	TMB				
REV	DESCRIPTION	DATE	INT				