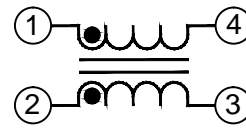
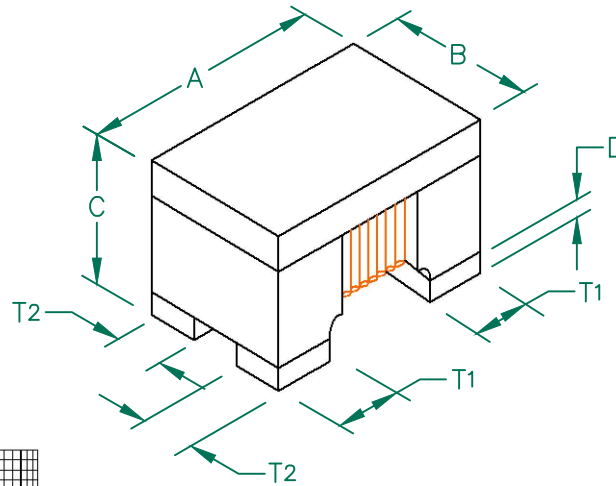


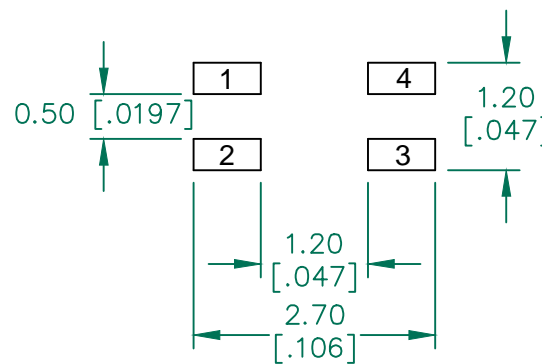
CM0805B361R-10

PHYSICAL DIMENSIONS:

A	2.00 [.079]	+ 0.20 [.008]
B	1.20 [.047]	+ 0.20 [.008]
C	1.20 [.047]	+ 0.20 [.008]
D	0.15 [.006]	+ 0.10 [.004]
T1	0.55 [.022]	+ 0.10 [.004]
T2	0.46 [.018]	+ 0.10 [.004]



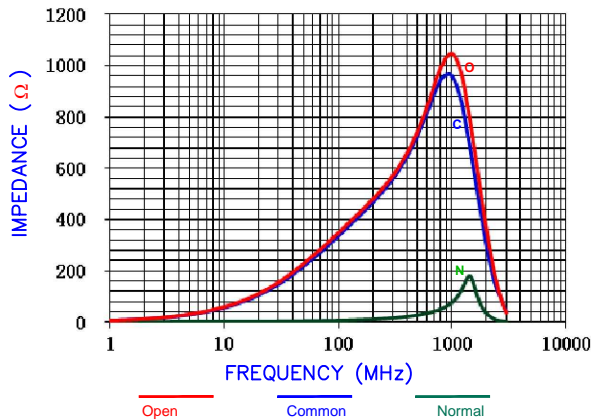
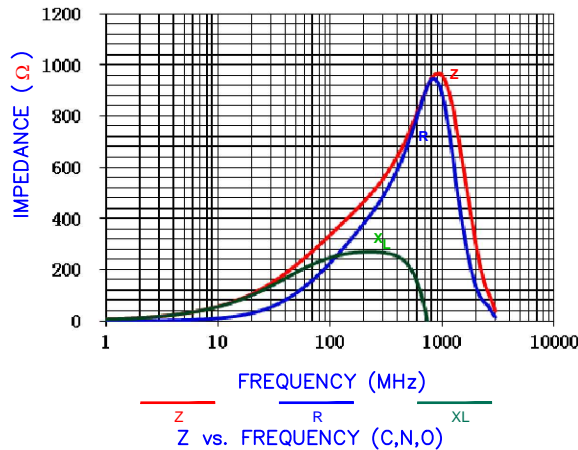
LAND PATTERNS FOR REFLOW SOLDERING



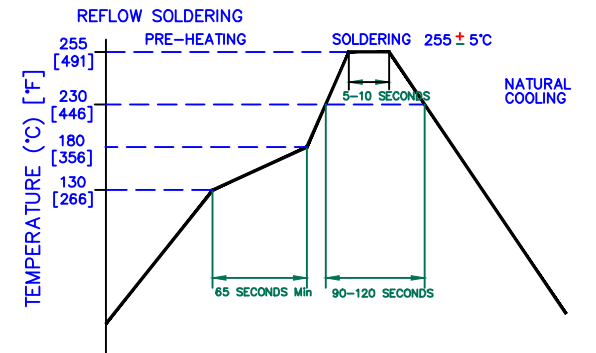
Electrical Characteristics		Nominal	Min	Max
Common Mode Impedance @ 100MHz	(Ω)	360	270	450
DCR	(Ω)	-	-	0.40
Rated Current	(mA)	-	-	280

- NOTES: UNLESS OTHERWISE SPECIFIED
1. TAPED AND REELED per CURRENT EIA SPECIFICATIONS 7" REELS, EMBOSSED PLASTIC TAPE 2,000 PCS/REEL.
 2. TERMINATION FINISH 100% MATTE TIN.
 3. COMPONENTS SHOULD BE ADEQUATELY PREHEATED BEFORE SOLDERING.
 4. OPERATING TEMP. RANGE: $-40^{\circ}\text{C} \sim +125^{\circ}\text{C}$. (INCLUDING SELF-HEATING)

Z, R, XL vs. FREQUENCY



RECOMMENDED SOLDERING CONDITIONS



RoHS

DIMENSIONS ARE IN mm [INCHES].				This print is the property of Laird Tech. and is loaned in confidence subject to return upon request and with the understanding that no copies shall be made without the written consent of Laird Tech. All rights to design or invention are reserved.			
C	ADD OPERATING TEMPERATURE UPDATE LAIRD LOGO	08/05/13	QU	PROJECT/PART NUMBER:	REV	PART TYPE:	DRAWN BY:
B	UPDATE REFLOW UPDATE Z, R, X AND C,N,O CURVE	12/21/12	QU	CM0805B361R-10	C	CM CHOKE	WEI
A	ORIGINAL DRAFT	03/01/11	WEI	DATE:	SCALE:	NTS	MATERIAL:
REV	DESCRIPTION	DATE	INT	03/01/11			
				CAD #	TOOL #		1 of 1
				CM0805B361R-10-C			