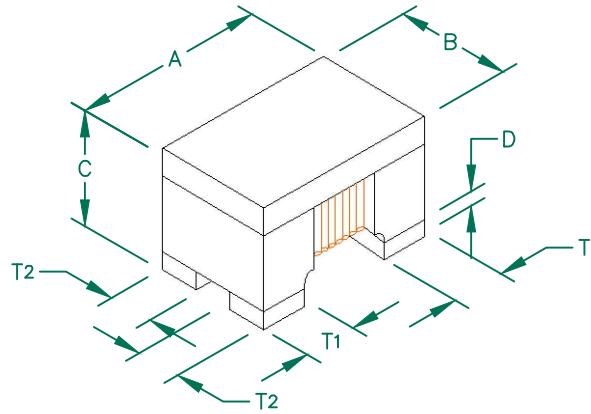


CH0805D900R-10

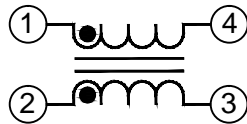
PHYSICAL DIMENSIONS:

A	2.00 [.079]	+ 0.20 [.008]
B	1.20 [.047]	+ 0.20 [.008]
C	1.20 [.047]	+ 0.20 [.008]
D	0.15 [.006]	+ 0.10 [.004]
T1	0.55 [.022]	+ 0.10 [.004]
T2	0.46 [.018]	+ 0.10 [.004]

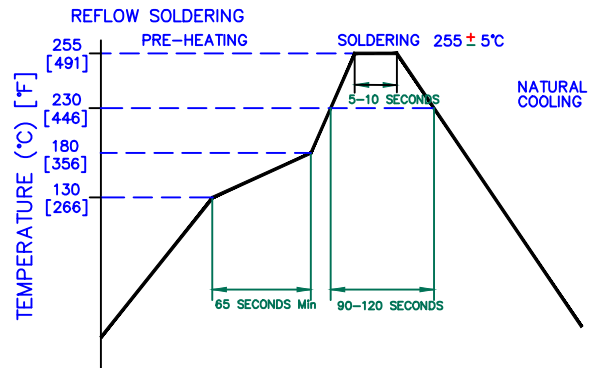


Electrical Characteristics	Min.	Nominal	Max.
Impedance @ 100MHz	Ω	65	90
DCR	Ω		0.30
Rated Voltage	Vdc		20
Current Rating	mA		300
Cut Off Frequency	GHz	6	
Characteristic Impedance	Ω	100	
Insulation Resistance	MΩ	10	

EQUIVALENT CIRCUIT



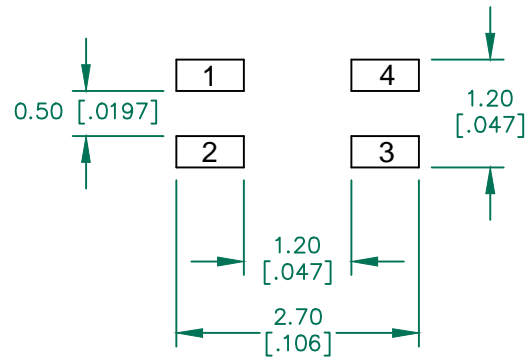
RECOMMENDED SOLDERING CONDITIONS



NOTES: UNLESS OTHERWISE SPECIFIED
 1. TAPED AND REELED per CURRENT EIA SPECIFICATIONS 7" REELS, EMBOSSED PLASTIC TAPE 2,000 PCS/REEL.

2. TERMINATION FINISH 100% MATTE TIN.
3. COMPONENTS SHOULD BE ADEQUATELY PREHEATED BEFORE SOLDERING.
4. OPERATING TEMP. RANGE: -40°C~+125°C. (INCLUDING SELF-HEATING)
5. COSMETIC SPECIFICATION REFER TO WI-QA-124.

LAND PATTERNS FOR REFLOW SOLDERING

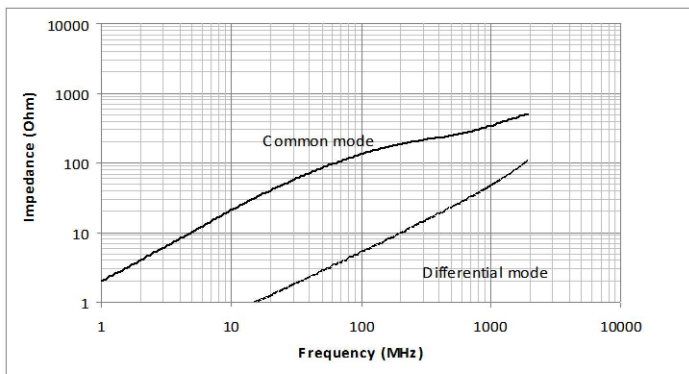


RoHS

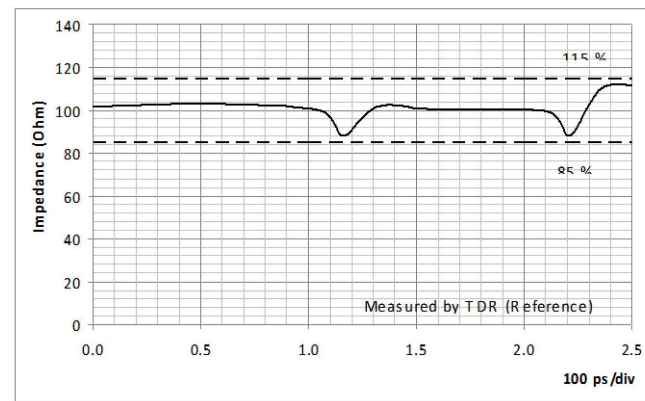
DIMENSIONS ARE IN mm [INCHES]				This print is the property of Laird Tech. and is loaned in confidence subject to return upon request and with the understanding that no copies shall be made without the written consent of Laird Tech. All rights to design or invention are reserved.			
C	ADD Current rating AND IR	06/09/15	QU	PROJECT/PART NUMBER:	REV	PART TYPE:	DRAWN BY:
B	ADD OPERATING TEMPERATURE UPDATE LAIRD LOGO AND REFLOW CURVE	08/05/13	QU	CH0805D900R-10	C	CHOKE	JRK
A	ORIGINAL DRAFT	03/02/09	JRK	DATE:	SCALE:	NTS	SHEET:
REV	DESCRIPTION	DATE	INT	03/02/09	CH0805D900R-10-C	TOOL #	1 of 2

CH0805D900R-10

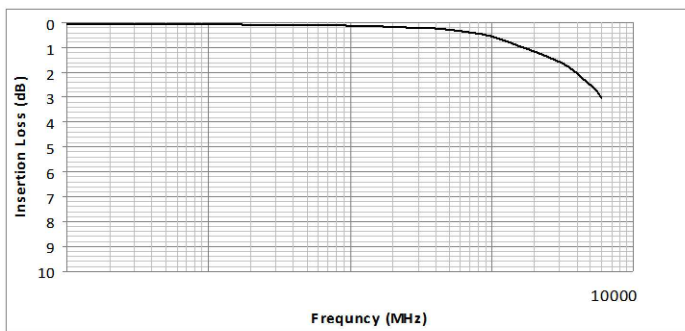
Typical Electrical Characteristics Impedance vs Frequency Characteristics (Reference)



Characteristic Impedance



Insertion Loss vs Frequency Characteristics (Reference)



DIMENSIONS ARE IN mm [INCHES].				This print is the property of Laird Tech. and is loaned in confidence subject to return upon request and with the understanding that no copies shall be made without the written consent of Laird Tech. All rights to design or invention are reserved.			
				Laird			
C	ADD Current rating AND IR	06/09/15	QU	PROJECT/PART NUMBER:	REV	PART TYPE:	DRAWN BY:
B	ADD OPERATING TEMPERATURE UPDATE LAIRD LOGO AND REFLOW CURVE	08/05/13	QU	CH0805D900R-10	C	CHOKES	JRK
A	ORIGINAL DRAFT	03/02/09	JRK	DATE: 03/02/09	SCALE: NTS	SHEET:	
REV	DESCRIPTION	DATE	INT	CAD # CH0805D900R-10-C	TOOL # -	2 of 2	