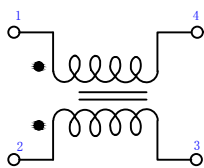
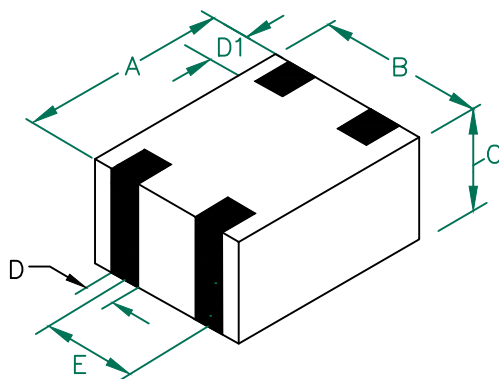


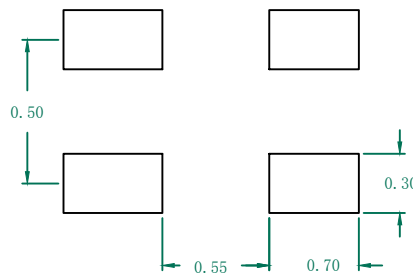
CF0504C121R-10

PHYSICAL DIMENSIONS:

A	1.25 [.049]	± 0.10 [.004]
B	1.00 [.039]	± 0.10 [.004]
C	0.60 [.024]	± 0.10 [.004]
D	0.30 [.012]	± 0.10 [.004]
D1	0.20 [.008]	± 0.15 [.006]
E	0.50 [.020]	± 0.10 [.004]



LAND PATTERNS FOR REFLOW SOLDERING



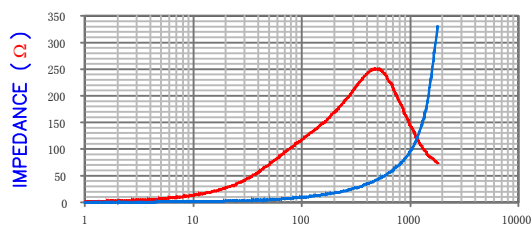
ELECTRICAL CHARACTERISTICS:

Common Mode Impedance @ 100MHz	Units	Nominal	Minimum	Maximum
	Ω	120	90	150
DCR	Ω	-	-	0.6
Rated Current	mA DC	-	-	300

NOTES: UNLESS OTHERWISE SPECIFIED

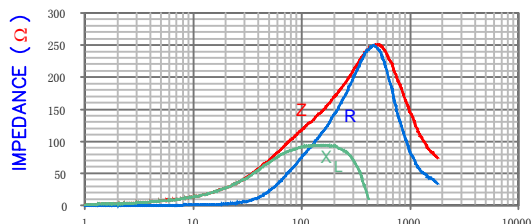
1. TAPED AND REELED per CURRENT EIA SPECIFICATIONS 7" REELS, PAPER TAPE, 4000 PCS/REEL.
2. TERMINATION FINISH IS 100% MATTE TIN.
3. COMPONENTS SHOULD BE ADEQUATELY PREHEATED BEFORE SOLDERING.
4. OPERATING TEMP. RANGE: $-40^{\circ}\text{C} \sim +125^{\circ}\text{C}$. (INCLUDING SELF-HEATING)

Z vs FREQUENCY
COMMON AND NORMAL MODES



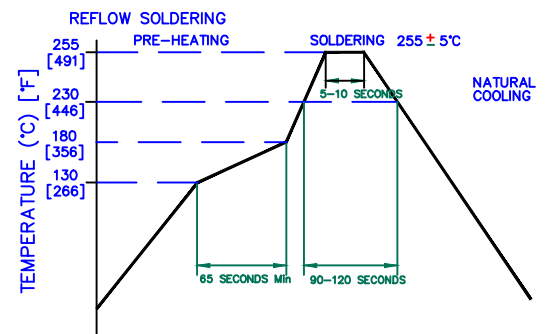
Common Normal
FREQUENCY (MHz)

COMMON MODE
|Z|, R, AND X vs. FREQUENCY



Z R X_L
FREQUENCY (MHz)

RECOMMENDED SOLDERING CONDITIONS



DIMENSIONS ARE IN mm [INCHES].

This print is the property of Laird Tech. and is loaned in confidence subject to return upon request and with the understanding that no copies shall be made without the written consent of Laird Tech. All rights to design or invention are reserved.



PROJECT/PART NUMBER:	REV	PART TYPE:	DRAWN BY:
CF0504C121R-10	C	CO-FIRE	JUN
DATE:	SCALE:	SHEET:	
03/02/10	NTS	1 of 1	
CAD #	TOOL #		
CF0504C121R-10-C	-		



REV	DESCRIPTION	DATE	INT
A	ORIGINAL DRAFT	03/02/10	JUN
B	UPDATE COMPANY LOGO AND REFLOW CURVE	08/05/13	QU
C	CHANGE DIMENSIONS C	09/22/16	QU