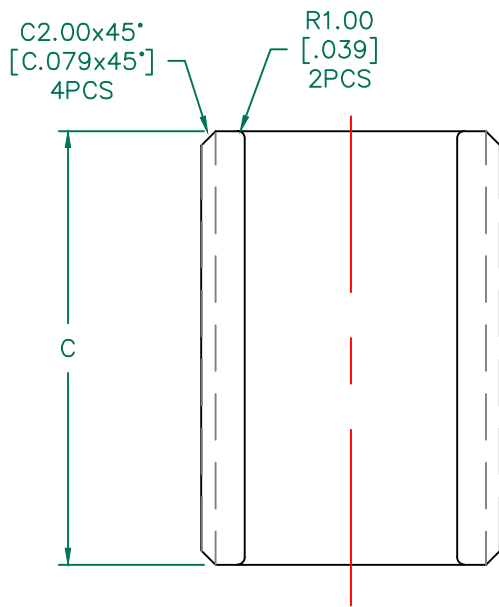
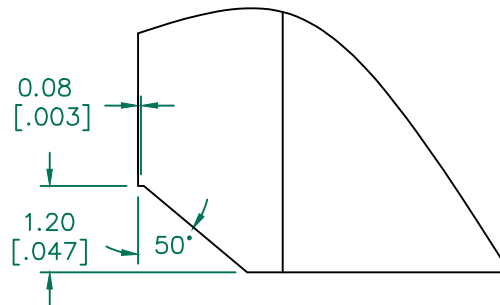


NET IMPEDANCE (Z)					
Frequency	0.5 MHz	1 MHz	5 MHz	10 MHz	25 MHz
Nominal (REF)	58 Ω	79 Ω	47 Ω	38 Ω	34 Ω
Minimum	43 Ω	59 Ω	35 Ω	28 Ω	25 Ω



ROHS



DETAIL "A"

FERRITE CORE DIMENSIONS (SPEC): mm [in]

A	41.40 [1.630]	+ 0.60 [.024]
B	29.40 [1.157]	+ 0.50 [.020]
C	60.00 [2.362]	+ 1.00 [.039]
D	11.50 [.453]	+ 0.20 [.008]
E	5.50 [.217]	+ 0.25 [.010]

WEIGHT/1000 88.07 kgs [194.15 Lbs]

NOTES: UNLESS OTHERWISE SPECIFIED

1. COSMETIC SPECIFICATION REFER TO WI-QA-038.
2. THE CONTACT SURFACE NEED TO BE POLISHED.
3. DENOTE CUSTOMER INTERFACE NEED 100% GUARANTEE INSIDE SPEC IN MASS PRODUCTION.

DIMENSIONS ARE IN mm[INCHES].				This print is the property of Laird Tech. and is loaned in confidence subject to return upon request and with the understanding that no copies shall be made without the written consent of Laird Tech. All rights to design or invention are reserved.			
				Laird			
				PROJECT/PART NUMBER:	REV	PART TYPE:	DRAWN BY:
				40U1630-080	B	CNZ CORE	Jcai
B	ADD NOTES 3 DENOTE REQUIREMENT	08/02/18	Jcai	DATE:	06/02/18	SCALE:	1 : 1
A	NEW RELEASE	06/02/18	Jcai	CAD #	40U1630-080-B	TOOL #	U1630
REV	DESCRIPTION	DATE	INT	MATERIAL: Ferrite			