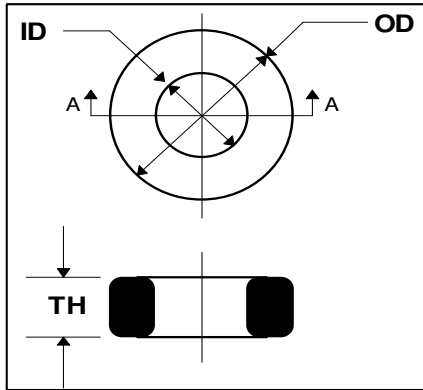


**Steward**



CORE DIMENSIONS		40T0375-300			
UNCOATED CORE					
		MM	INCHES	MM	INCHES
OD	9.53	(.375)	±	.38	(.015)
ID	4.75	(.187)	±	.38	(.015)
TH	4.78	(.188)	±	.13	(.005)
EPOXY COATING		40T0375-30G			
OD	9.61	(.378)	±	.46	(.018)
ID	4.67	(.184)	±	.46	(.018)
TH	4.86	(.191)	±	.20	(.008)

WEIGHT / K 1.2492 KGS 2.7541 LBS  
 INITIAL PERMEABILITY 10000

ROOM TEMPERATURE ELECTRICAL SPECIFICATION									
	MIN. TOL.	MIN. (μH)	NOM. (μH)	MAX. (μH)	MAX. TOL.	FREQ. (kHz)	VOLT. (mV)	GAUSS	TURNS
L1-1T	-30.0%	4.66	6.66	8.65	30.0%	100	4.87	10	1
L1-10T	-30.0%	466.0	665.7	865.4	30.0%	100	48.7	10	10
Q		4							

COATING SPECIFICATIONS			
TYPE	Max. Coating (mm / mils.)	Min. DLB VAC	TEST FORCE (LB)
Epoxy	(0.0762 / 3.0)	500	.83



NOTES:

Rev	Description	Date	INT
A	Original Draft	2006-5-15	WMM
B	Reactive The Print	2007-1-24	Dxu

Date:01/24/2007	DWG # 40T0375-30G-B	Rev:
Drawn By: Dxu	Title # 40T0375-30G	B

Steward This document contains information which is proprietary to Steward. No production or publication of this document in whole or in part shall be made without written authorization from Steward.

**UNCONTROLLED DOCUMENT**