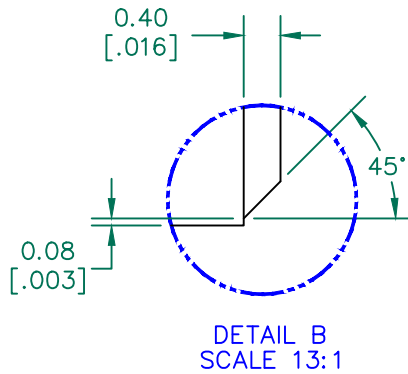
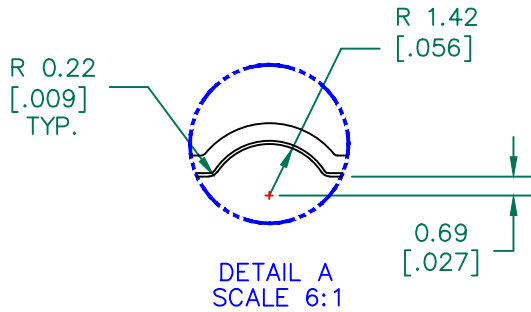
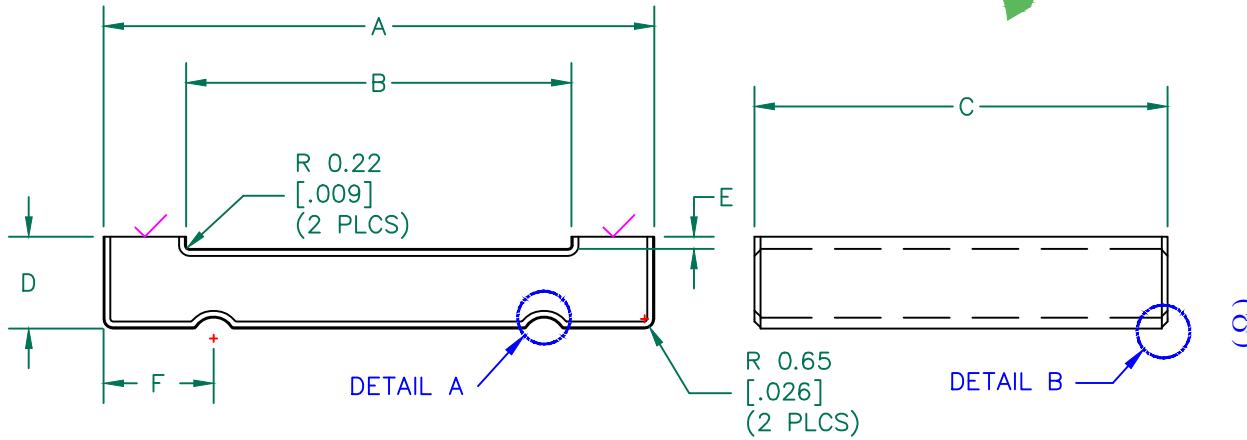
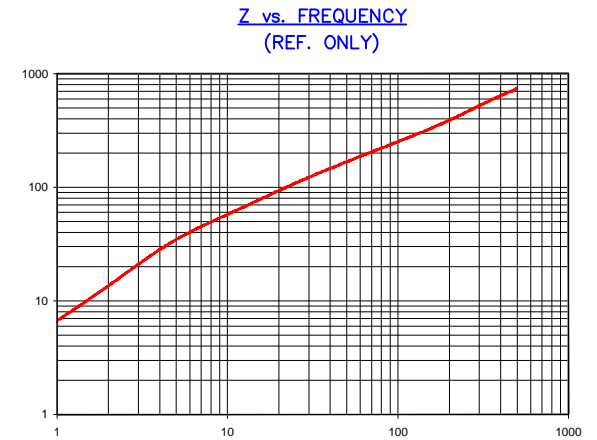


RoHS



IMPEDANCE (Z)			
Frequency	25 MHz	100 MHz	300 MHz
Nominal (REF)	115 Ω	250 Ω	520 Ω
Minimum	- Ω	200 Ω	- Ω



FREQUENCY (MHz)

AGILENT E4991A Impedance/Material Analyzer
HP 16092A-Test Fixture

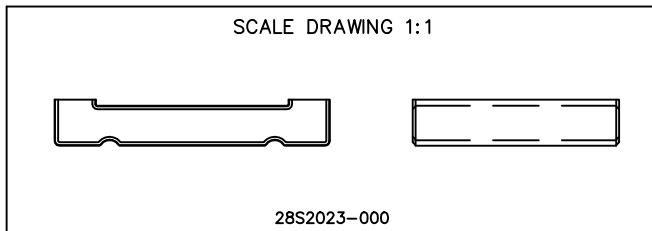
FERRITE CORE DIMENSIONS (SPEC): mm [in]

A	38.10 [1.500]	+	0.76 [0.030]
B	26.67 [1.050]	+	0.76 [0.030]
C	25.40 [1.000]	+	0.51 [0.020]
D	6.35 [0.250]	+	0.25 [0.010]
E	0.84 [0.033]	+	0.25 [0.010]
F	7.62 [0.300]	+	0.25 [0.010]

WEIGHT/1000 30.56 kgs. 67.38 Lbs.

NOTES: UNLESS OTHERWISE SPECIFIED

1. COSMETIC SPECIFICATION REFER TO WI-QA-038.



DIMENSIONS ARE IN mm[INCHES].				This print is the property of Laird Tech. and is loaned in confidence subject to return upon request and with the understanding that no copies shall be made without the written consent of Laird Tech. All rights to design or invention are reserved.		Laird			
H	UPDATE LOGO	08/29/16	QIU	PROJECT/PART NUMBER: 28S2023-000		REV	H	PART TYPE: FERRITE SPLIT RIBBON	DRAWN BY: DJB
G	UPDATE FORMAT & Z SPECS ADD CURVE CHANGE TOLS ON F DIMENSION	07/07/03	JRK						
F	CORRECT DIM F	07/16/01	JRK						
E	UPDATE PRINT FOR ELECTRONIC DATABASE UPDATE Z SPECS & REMOVED NOTE "2"	11/09/00	JAJ						
D	ADDED GROSS ELECT. TEST & NOTES	04/03/97	BAC						
C	UPDATE P/N FOR NEW CATALOG	09/27/95	JBE	DATE:	12/17/90	SCALE:	2 : 1	MATERIAL:	FERRITE
B	UPDATE	11/04/94	JBE	CAD #	28S2023-000-H	TOOL #	S2023		
A	ORIGINAL DRAFT	12/17/90	DJB						
REV	DESCRIPTION	DATE	INT						