

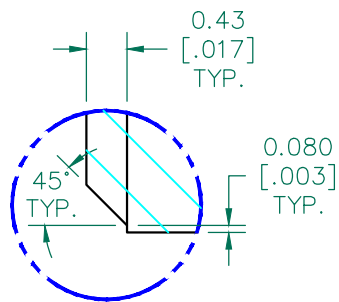
R 0.36  
[.014]  
2 PLACES

NOTE 1

NOTE 1

R 2.50  
[.0985]  
2 PLACES

DETAIL A

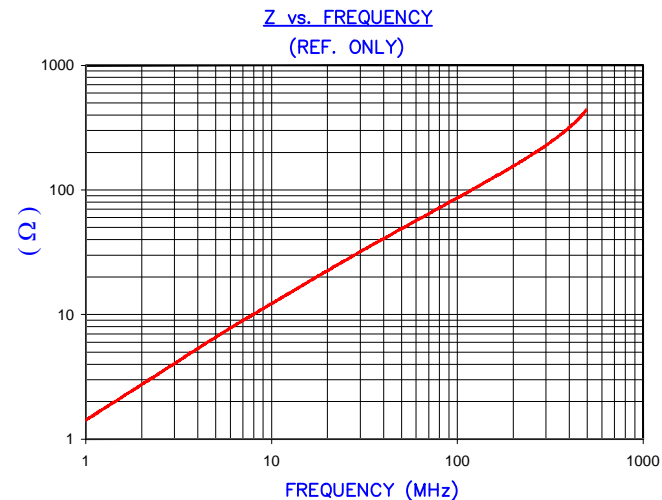


DETAIL A  
SCALE 4:1

NOTES: UNLESS OTHERWISE SPECIFIED

1. D DIMENSION FROM EACH END OF THE PART TO 6.35 [.250] IS A TIGHTER TOLERANCE OF  $\pm 0.20$  [.008]. CENTER SECTION HAS STANDARD TOLERANCE OF  $\pm 0.36$  [.014].

IMPEDANCE ( Z )			
Frequency	25 MHz	100 MHz	300 MHz
Nominal (REF)	27 $\Omega$	84 $\Omega$	200 $\Omega$
Minimum	- $\Omega$	67 $\Omega$	- $\Omega$

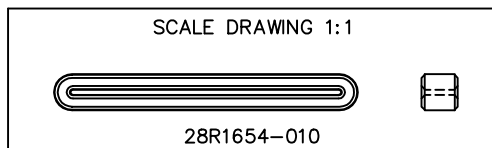


AGILENT E4991A Impedance/Material Analyzer  
HP 16092A Test Fixture REF # 3020

FERRITE CORE DIMENSIONS (SPEC):mm[Inches]

A	42.00 [1.654]	+ 0.50 [.020]	- 0.30 [.012]
B	37.50 [1.476]	+ 0.50 [.020]	- 0.30 [.012]
C	5.00 [.197]	+ 0.20 [.008]	
D	5.00 [.197]	+ 0.36 [.014]	
E	0.70 [.028]	+ 0.20 [.008]	

WEIGHT/1000 4.21 kgs [9.28 Lbs]



DIMENSIONS ARE IN mm[INCHES].				This print is the property of Laird Tech. and is loaned in confidence subject to return upon request and with the understanding that no copies shall be made without the written consent of Laird Tech. All rights to design or invention are reserved.		Laird	
J	ADD NOTES 1	03/18/14	Jcai	PROJECT/PART NUMBER:	REV J	PART TYPE:	DRAWN BY:
H	CHANGE TOLERANCES	11/26/09	Jcai	28R1654-010		FERRITE RIBBON CORE	JBE
G	UPDATE MIN Z SPECS & COMPANY LOGO	07/27/07	TMB	DATE:	SCALE:	MATERIAL:	
F	UPDATE MIN Z SPEC @100Mhz ADD REF #	02/10/04	JRK	03/18/14	2 : 1	Ferrite	
REV	DESCRIPTION	DATE	INT	CAD #	TOOL #		
				28R1654-010-J	R1654		