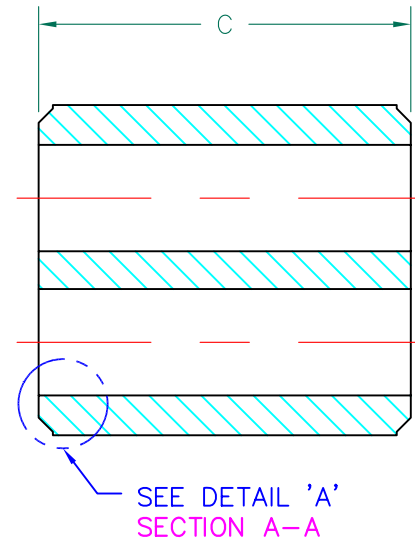
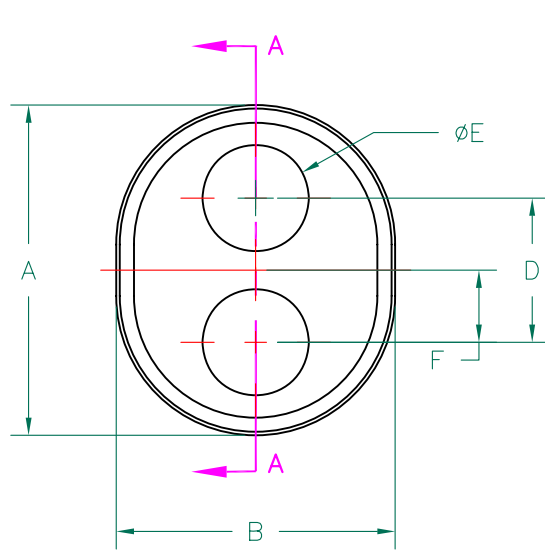


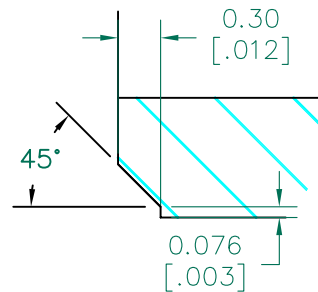
SCALE DRAWING 1:1



28N0281-080



**UNCONTROLLED
DOCUMENT**



DETAIL A
SCALE 18:1

ELECTRICAL TESTING
TEST SINGLE TURN THROUGH BOTH HOLES

TEST:	Z	Z
FREQUENCY	25 MHz	100 MHz
NOMINAL	70 Ω	100 Ω
MINIMUM	56 Ω	80 Ω
WEIGHT/1000	1.00 kgs.	2.22 lbs.

BARE DIMENSIONS

A	7.10 [.279]	±	0.25 [.010]
B	6.00 [.236]	±	0.25 [.010]
C	8.00 [.315]	±	0.25 [.010]
D	3.10 [.122]	+	0.15 [.006]
		-	0.35 [.014]
E	2.29 [.090]	±	0.10 [.004]
F	1.55 [.061]	±	0.05 [.002]

DIMENSIONS ARE IN INCHES (mm).				This print is the property of Laird Tech. and is loaned in confidence subject to return upon request and with the understanding that no copies shall be made without the written consent of Laird Tech. All rights to design or invention are reserved.		Laird TECHNOLOGIES®	
				PROJECT/PART NUMBER:	28N0281-080	REV	A
				DATE:	07/19/10	PART TYPE:	BALUN CORE
				CAD #	28N0281-080-A	DRAWN BY:	Jcai
REV	DESCRIPTION	DATE	INT	SCALE:	6 : 1	MATERIAL:	FERRITE
A	ORIGINAL DRAFT	07/19/10	Jcai				