
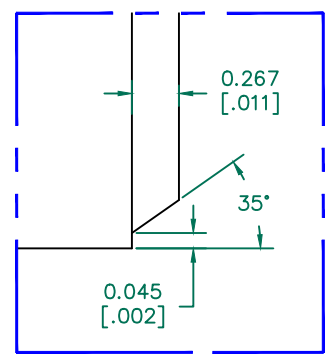


SCALE DRAWING 1:1  
  
 28M0158-000



DETAIL "A"  
 SCALE: 50 : 1

BARE DIMENSIONS:


A	4.00 [.157]	+	0.20 [.008]
B	15.00 [.590]	+	0.50 [.020]

WEIGHT/K      0.91 kgs    2.01 lbs.

NOTES:

1. Cosmetic specification refer to WI-QA-038.

**UNCONTROLLED  
 DOCUMENT**

DIMENSIONS ARE IN mm [INCHES].				This print is the property of Laird Tech. and is loaned in confidence subject to return upon request and with the understanding that no copies shall be made without the written consent of Laird Tech. All rights to design or invention are reserved.				
				PROJECT/PART NUMBER:	REV	PART TYPE:	DRAWN BY:	
				28M0158-000	A	ROD	QIU	
				DATE:	SCALE:	MATERIAL:		
				06/20/14	NTS	FERRITE		
A	ORIGINAL DRAFT	06/20/14	QIU	CAD #	TOOL #			
REV	DESCRIPTION	DATE	INT	28M0158-000-A	8:1			