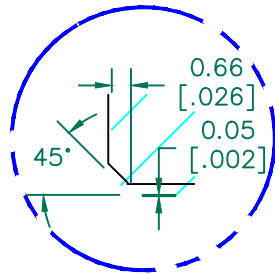


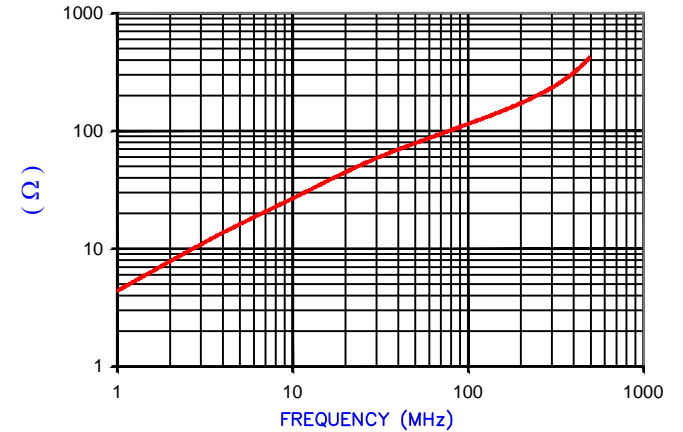
SEE DETAIL "A"



DETAIL "A"  
TYPICAL  
CHAMFER  
SCALE=4:1

IMPEDANCE (Z)			
Frequency	25 MHz	100 MHz	300 MHz
Nominal (REF)	52 Ω	115 Ω	320 Ω
Minimum	- Ω	92 Ω	- Ω

Z vs. FREQUENCY  
(REF. ONLY)



AGILENT E4991A Impedance/Material Analyzer  
HP 16092A-Test Fixture

FERRITE CORE DIMENSIONS (SPEC): mm [in]

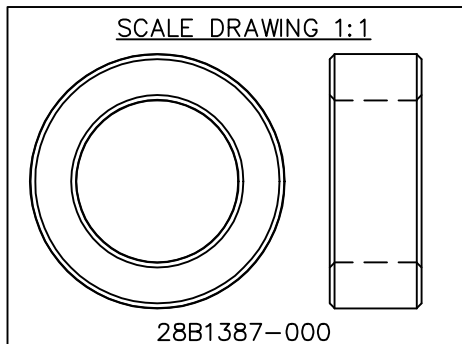
A	35.23 [1.387]	± 0.66 [.026]
B	22.40 [.882]	± 0.46 [.018]
C	12.70 [.500]	± 0.25 [.010]

WEIGHT/1000 36.05 kgs [79.47Lbs]



NOTES:

1. REFERENCE STEWARD P/N 28B1387-00\*, REV C.
2. COSMETIC SPECIFICATION REFER TO WI-QA-038.



DIMENSIONS ARE IN mm [INCHES].				This print is the property of Laird Tech. and is loaned in confidence subject to return upon request and with the understanding that no copies shall be made without the written consent of Laird Tech. All rights to design or invention are reserved.		Laird		
F	UPDATE LOGO	09/07/16	QIU	PROJECT/PART NUMBER:		REV	PART TYPE:	DRAWN BY:
E	UPDATE COMPANY LOGO	05/09/07	TMB	28B1387-000		F	CNZ CORE	LNK
D	UPDATE PRINT FORMAT ADD IMPEDANCE CURVE ADD IMPEDANCE (Z) VALUES TO UPPER RIGHT CORNER OF PRINT	03/11/03	TMB	DATE:	04/15/09	SCALE:	1 : 1	MATERIAL:
	CHANGE P/N TO -000 REM COATING SPEC			CAD #	28B1387-000-F	TOOL #	B1387	Ferrite
REV	DESCRIPTION	DATE	INT					