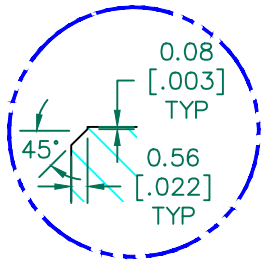


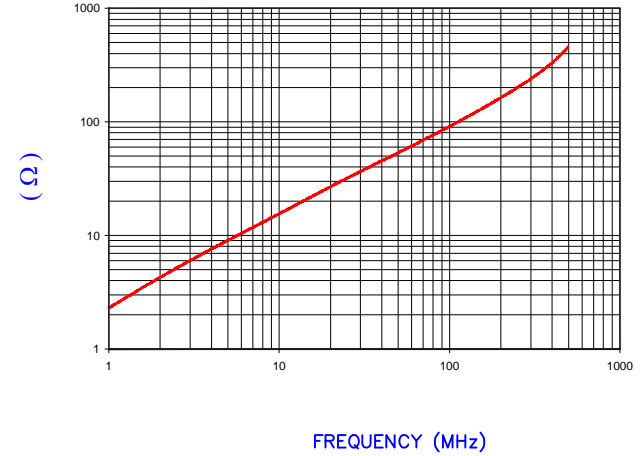
SECTION A-A



DETAIL "A"
SCALE: 4:1

IMPEDANCE (Z)			
Frequency	25 MHz	100 MHz	300 MHz
Nominal (REF)	39 Ω	93 Ω	210 Ω
Minimum	- Ω	74 Ω	- Ω

Z vs. FREQUENCY
(REF. ONLY)



AGILENT E4991A Impedance/Material Analyzer
HP 16092A Test Fixture

UNCONTROLLED DOCUMENT

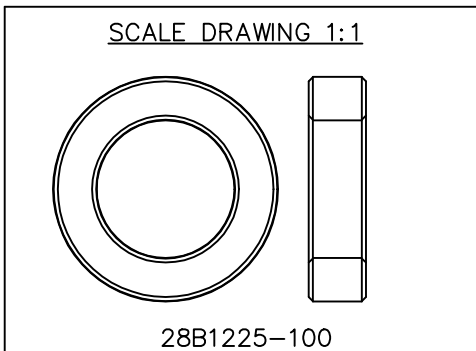
FERRITE CORE DIMENSIONS (SPEC): mm/inches

A	31.12 [1.225]	±	0.61 [.024]
B	19.05 [.750]	±	0.40 [.016]
C	7.92 [.312]	±	0.25 [.010]

WEIGHT/1000 18.34 kgs 40.43 Lbs.

NOTES: UNLESS OTHERWISE SPECIFIED

- COSMETIC SPECIFICATION REFER TO WI-QA-038.



DIMENSIONS ARE IN mm (INCHES).				This print is the property of Laird Tech. and is loaned in confidence subject to return upon request and with the understanding that no copies shall be made without the written consent of Laird Tech. All rights to design or invention are reserved.				
F	DESCRIPTION	DATE	INITIALS					
F	UPDATE COMPANY LOGO	05/22/15	QIU	PROJECT/PART NUMBER:		REV	DRAWN BY:	
E	UPDATE FORMAT & Z SPECS ADD CURVE	07/22/03	JRK	28B1225-100		F	LNK	
D	REM COATING SPEC CHG P/N ADD DETAIL A	07/31/02	JRK	DATE:	12/28/92	SCALE:	1.5 : 1	
C	CHG P/N TO -10* ADDED COATING SPECS	03/19/99	IS	CAD #	28B1225-100-F	TOOL #	B1225	
B	UPDATED P/N FOR NEW CATALOG	10/31/95	JBE	MATERIAL:				FERRITE
A	ORIGINAL DRAFT	12/28/92	LNK					
REV	DESCRIPTION	DATE	INT					