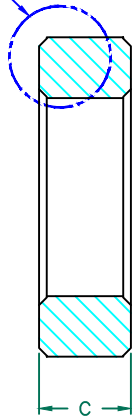
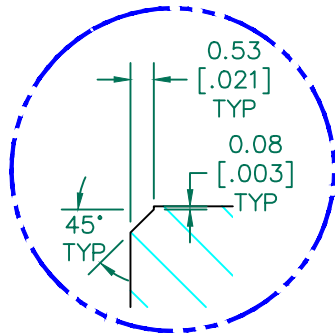


SEE DETAIL "A"

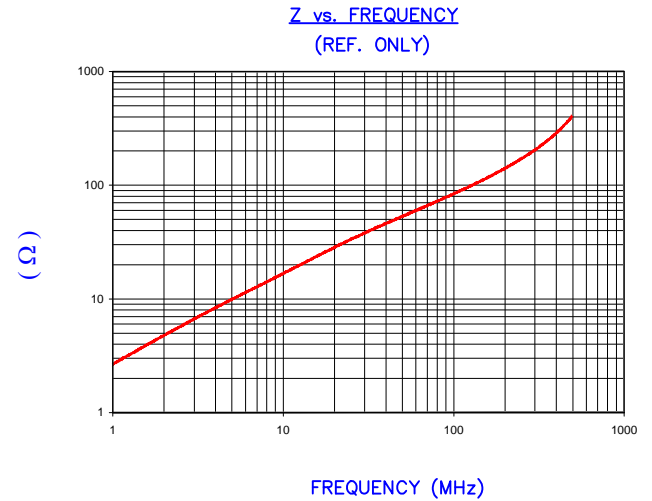


SECTION A-A



DETAIL "A"  
SCALE: 5:1

IMPEDANCE ( Z )			
Frequency	25 MHz	100 MHz	300 MHz
Nominal (REF)	34 Ω	85 Ω	205 Ω
Minimum	- Ω	68 Ω	- Ω



AGILENT E4991A Impedance/Material Analyzer  
HP 16092A Test Fixture

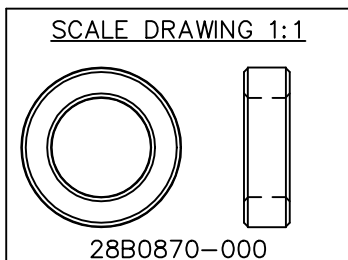
FERRITE CORE DIMENSIONS (SPEC): mm/inches

A	22.10 [.870]	±	0.46 [.018]
B	13.72 [.540]	±	0.25 [.010]
C	6.35 [.250]	±	0.18 [.007]

WEIGHT/1000 7.35 kgs [16.2 Lbs]

NOTES: UNLESS OTHERWISE SPECIFIED

1. COSMETIC SPECIFICATION REFER TO WI-QA-038.



DIMENSIONS ARE IN MM [INCHES].				This print is the property of Laird Tech. and is loaned in confidence subject to return upon request and with the understanding that no copies shall be made without the written consent of Laird Tech. All rights to design or invention are reserved.								
REV	DESCRIPTION	DATE	INT									
G	UPDATE THE LOGO	05/13/15	QIU	PROJECT/PART NUMBER: <b>28B0870-000</b>		REV <b>G</b>	PART TYPE: FERRITE CNZ CORE	DRAWN BY: DJB				
F	UPDATE TEMPLATE	12/25/09	Jcai									
E	UPDATE FORMAT & Z SPECS ADD CURVE CHANGE P/N REMOVE COATING SPECS	07/07/03	JRK									
D	UPDATE PRINT FORMAT ADD CHAMFER DETAIL	04/02/02	JRK									
C	CHG P/N TO 28B0870-00*, ADD COATING SPECS	03/19/99	I.S.									
B	UPDATED P/N FOR NEW CATALOG	9/25/95	JBE									
A	ORIGINAL DRAFT	9/12/91	DJB									
REV	DESCRIPTION	DATE	INT									
		DATE:	9/12/91						SCALE:	2 : 1	MATERIAL: <b>FERRITE</b>	
		CAD #	28B0870-000-G						TOOL #	B0870		