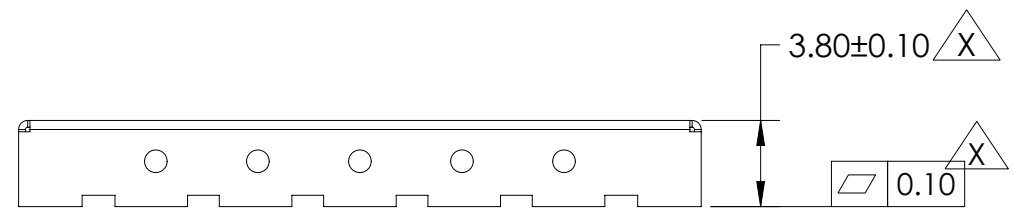
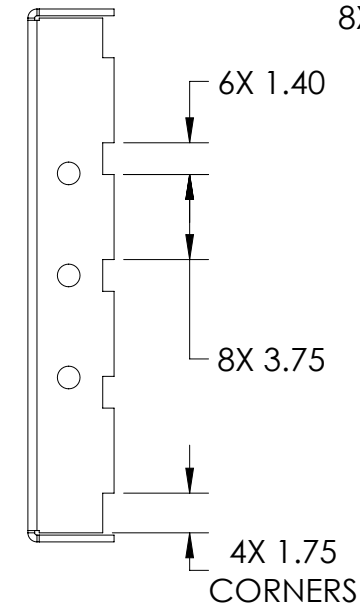
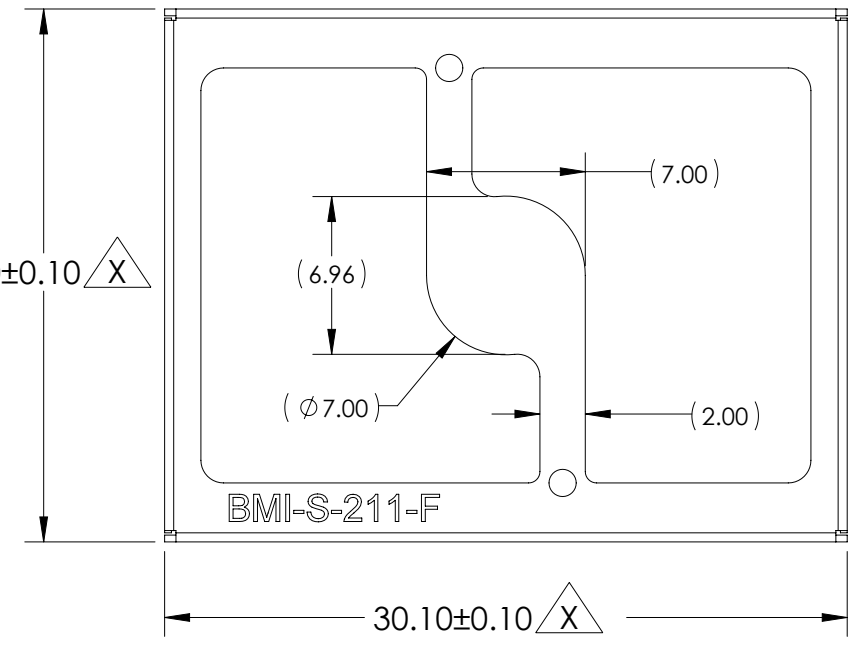
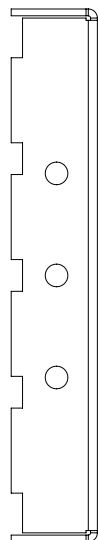
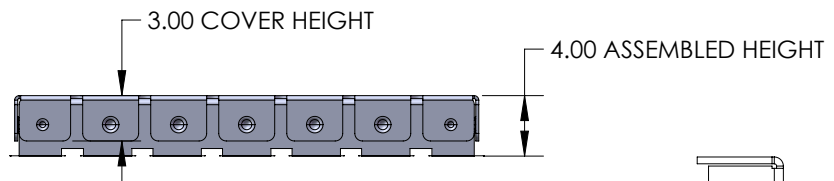
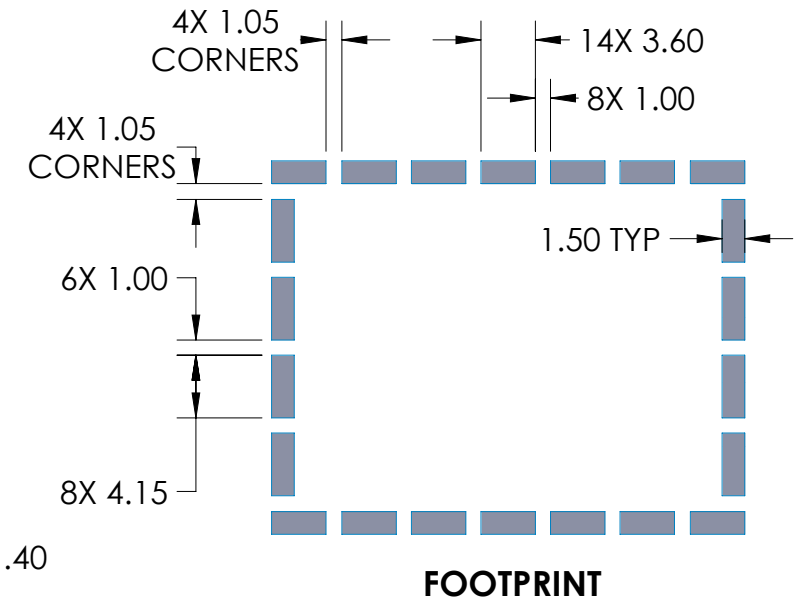
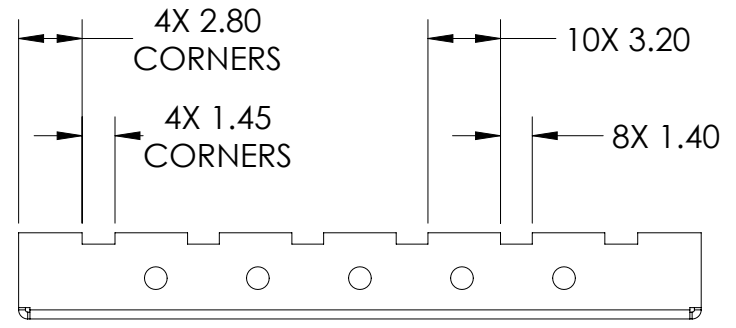
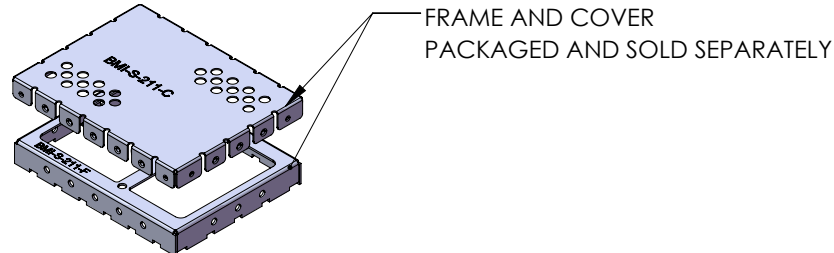


3	2	1	
FUNCTION	PART #	MATERIAL/FINISH	PACKAGING
FENCE	BMI-S-211-F	0.30 MM COLD ROLLED STEEL TIN PRE-PLATED [EN10102 TS275]	TAPE AND REEL (SEE SHEET 2)
COVER	BMI-S-211-C	0.20 MM COLD ROLLED STEEL TIN PRE-PLATED [EN10102 TS275]	BULK PACK

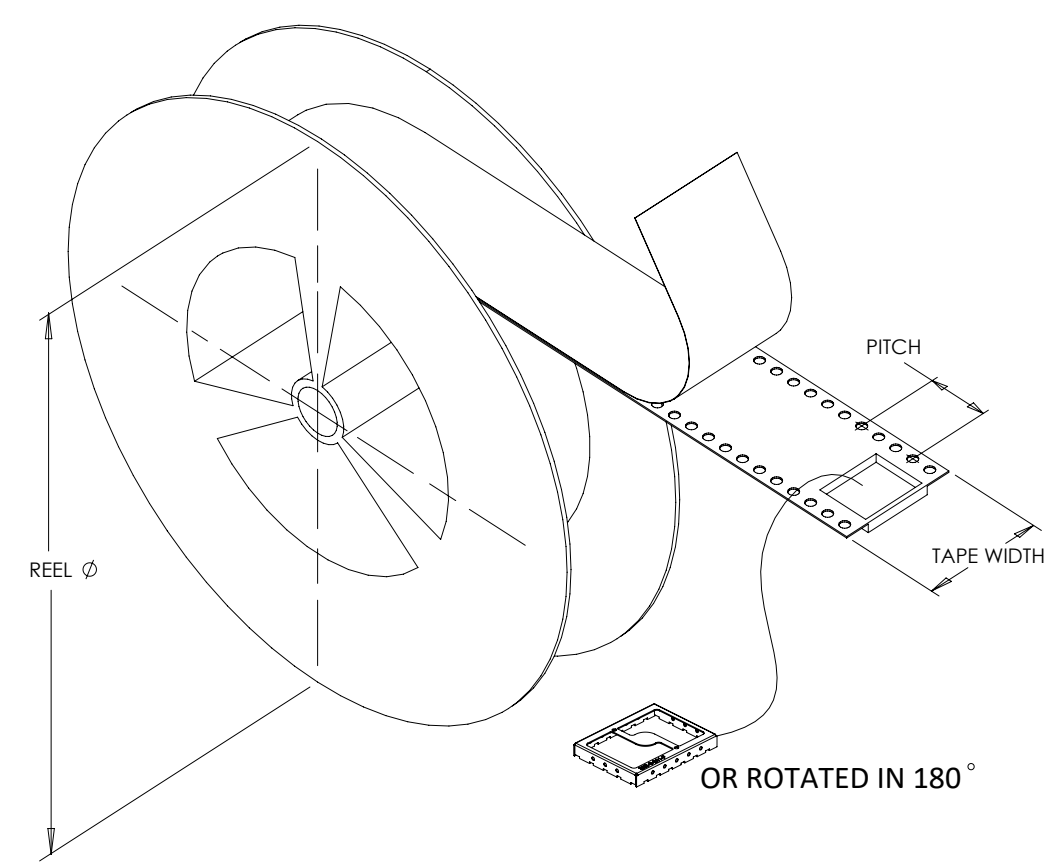


- NOTES:
- PARTS SHALL BE FREE OF SHARP EDGES. BURRS SHALL NOT EXCEED 10% OF MATERIAL THICKNESS OR 0.05mm WHICHEVER IS LESS.
 - CRITICAL DIMENSIONS ARE DESIGNATED BY X
 - REFERENCE DIMENSIONS WILL BE SHOWN IN PARENTHESES (DIM)
 - OTHER MATERIALS AND PACKAGE OPTIONS MAY BE AVAILABLE, CONSULT SALES

- ROHS -
THIS PRODUCT IS FULLY COMPLIANT TO LT-GES-001 WHICH MEETS OR EXCEEDS COMPLIANCE REQUIREMENTS OF EUROPEAN DIRECTIVE 2011/65/EU 'RESTRICTION OF USE OF HAZARDOUS SUBSTANCES'

CAD MAINTAINED DRAWING REV. CONTROLLED DOCUMENT MANUAL CHANGES UNAUTHORIZED PRINTED COPIES OF THIS DOCUMENT ARE CONSIDERED UNCONTROLLED.	BLOCK TOLERANCES APPLY TO METRIC UNITS ONLY. DUAL DIMENSIONS IF SHOWN ARE FOR REFERENCE ONLY AND ARE DISPLAYED IN 3 PLACES FOR CONVERSION PURPOSES ONLY	UNITS: MM [INCH]			MATERIAL:	PART DESCRIPTION:		LAIRD PART NUMBER :		
					SEE TABLE AND NOTE	BOARD LEVEL SHIELD				
3D MODEL REQUIRED FOR COMPLETE DOCUMENTATION	INFORMATION CONTAINED IN THIS DOCUMENT IS CONFIDENTIAL AND PROPRIETARY TO LAIRD LTD. AND/OR ITS SUBSIDIARIES (TOGETHER, "LAIRD"). IT MAY NOT BE DISCLOSED TO ANYONE WITHOUT WRITTEN AUTHORIZATION FROM LAIRD				THICKNESS:	PROGRAM NAME:		MODEL BY:	DATE:	REV:
					SEE TABLE AND NOTE	STANDARDS		WOONG BANG	06/10/2026	
			DESIGNED IN SOLIDWORKS		FINISH:	CUSTOMER PART NUMBER :		APPROVED BY:		SALES
SCALE: 3:1		SHEET 1 OF 2		SIZE	SEE TABLE AND NOTE	N/A		DATE:		
						LAIRD PART FAMILY/GROUP:		LAIRD STD PART REF:		
						BOARD LEVEL SHIELD		NA		

- REEL SPECIFICATIONS:
- 1) REEL DIAMETER: 380 mm
 - 2) TAPE WIDTH: 44 mm
 - 3) REEL WIDTH OVERALL: 44 mm
 - 4) PITCH: 28 mm
 - 5) PARTS PER REEL: 575 PCs



Laird™		LAIRD PART NUMBER :		
		BMI-S-211-SALES		
3RD ANGLE PROJECTION		MODEL BY:	DATE:	REV:
DESIGNED IN SOLIDWORKS	SIZE	SEE SHEET 1	SEE SHEET 1	SALES
SCALE: 1:2	B	APPROVED BY:	DATE:	
SHEET 2 OF 2	LAIRD STD PART REF:	SEE SHEET 1	SEE SHEET 1	
		N/A		