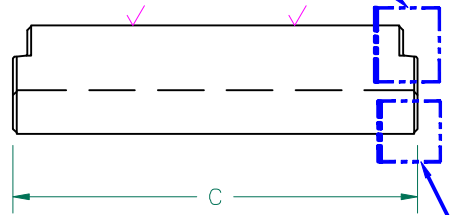


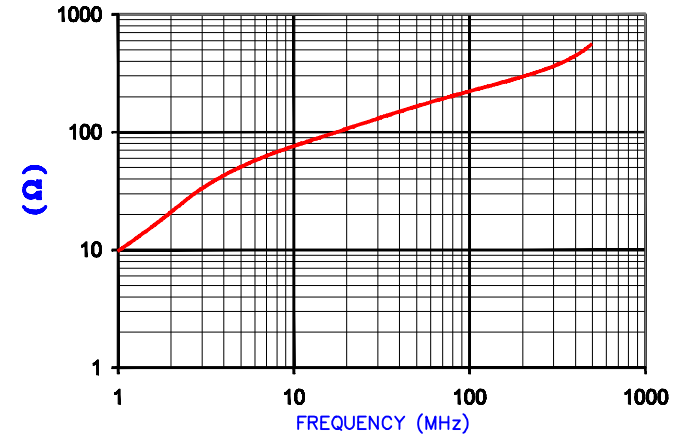
SEE DETAIL "A"



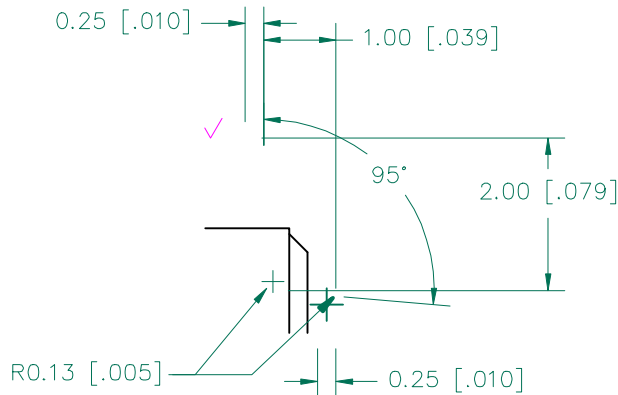
SEE DETAIL "B"

IMPEDANCE (Z)			
Frequency	25 MHz	100 MHz	300 MHz
Nominal (REF)	120 Ω	220 Ω	360 Ω
Minimum	- Ω	176 Ω	- Ω

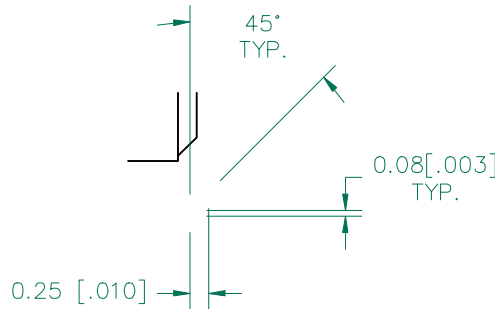
Z vs. FREQUENCY
(REF. ONLY)



AGILENT E4991A Impedance/Material Analyzer
HP 16092A-Test Fixture REF# 3219



DETAIL "A"
SCALE 10 : 1



DETAIL "B"
SCALE 10 : 1

UNCONTROLLED DOCUMENT

SCALE DRAWING 1:1



28A2736-000

FERRITE CORE DIMENSIONS (SPEC): mm [in]

A	16.00 [.630]	±	0.30 [.012]
B	9.00 [.354]	±	0.30 [.012]
C	28.00 [1.102]	+	0.50 [.020]
		-	0.30 [.012]
D	7.50 [.295]	±	0.20 [.008]
E	5.60 [.220]	±	0.30 [.012]

WEIGHT/1000 9.09 kgs [20.04 lbs]

DIMENSIONS ARE IN mm [INCHES].			
F	UPDATE DIMENSION AND TEMPLATE	10/15/10	Jcai
E	UPDATE Z SPECS AND COMPANY LOGO	07/12/07	JRK
D	UPDATE Z SPEC 100 MHZ MIN VALUE	12/08/06	TMB
C	CHG Z SPEC @100 MHZ ADD TEST REF#	12/20/04	JRK
B	CHANGE PRINT FORMAT CHANGE Z SPECS AND ADD CURVE	06/26/03	TMB
A	ORIGINAL DRAFT	10/23/02	TMB
REV	DESCRIPTION	DATE	INT

This print is the property of Laird Tech. and is loaned in confidence subject to return upon request and with the understanding that no copies shall be made without the written consent of Laird Tech. All rights to design or invention are reserved.



PROJECT/PART NUMBER:	REV	PART TYPE:	DRAWN BY:
28A2736-000	F	FERRITE SPLIT CORE	TMB
DATE:	SCALE:	MATERIAL:	
10/23/02	2 : 1	NiZn Ferrite	
CAD #	TOOL #		
28A2736-000-F	A2736		