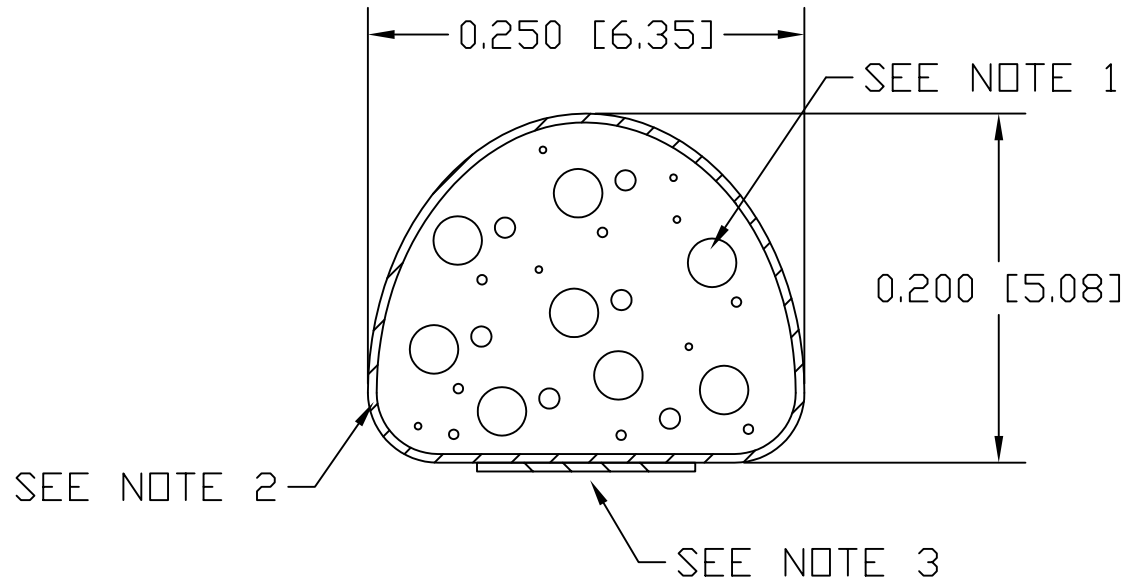


CONFIDENTIAL & PROPRIETARY

THIS INFORMATION IS CONFIDENTIAL AND PROPRIETARY TO LAIRD TECHNOLOGIES. IT MAY NOT BE DISCLOSED TO ANYONE, OTHER THAN LAIRD TECHNOLOGIES PERSONNEL, WITHOUT WRITTEN AUTHORIZATION FROM LAIRD TECHNOLOGIES.



PROFILE DETAIL

NOTES:

1. FOAM: POLYURETHANE
2. FABRIC: NICKEL PET-TAF FR Ecogreen
3. TAPE: .125" TAPE HI-TEMP
4. LINER: NO EXTENDED RELEASE LINER
5. FABRIC SEAM LOCATION MAY VARY.
6. THIS PART IS RoHS COMPLIANT

| |
|--|
| REVISIONS: 1. TAPE WAS .075" - P08-006 - 1/21/08 FJG |
| |
| |
| |
| |

| | |
|---------------------------------|-----------|
| TITLE: SHIELDING GASKET | |
| Dwg. or Part No. 4787-PA-51H | REV. 1 |

| | | |
|---------------------|------------------|---------------|
| DRAWN GIBILTERRA | DATE 10/02/07 | SCALE: 1/1 |
| CHECKED BY: FJG | DATE 10/02/07 | |
| RELEASED BY: FJG | DATE 10/02/07 | |

| | | |
|--|------------|---------|
| DIMENSIONS ARE IN INCHES. UNLESS OTHERWISE SPECIFIED, TOLERANCES ARE AS FOLLOWS: | | |
| DECIMALS | LENGTH | |
| .XX ± .03 | 0" - 6" | ± .030" |
| .XXX ± .020 | 6" - 11" | ± .050" |
| | 11" - 48" | ± .100" |
| ANGLES | 48° - 70° | ± .187° |
| | 70° - 144° | ± .250° |

