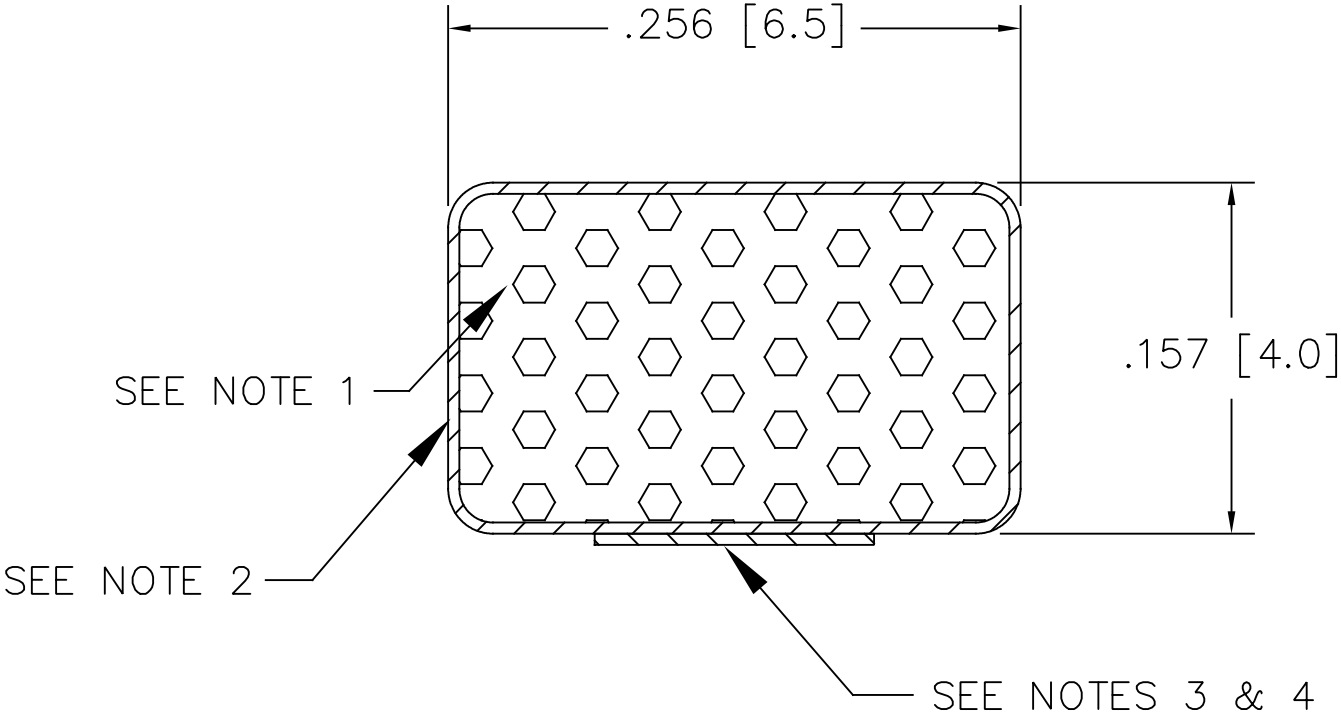


THIS INFORMATION IS CONFIDENTIAL AND PROPRIETARY TO LAIRD TECHNOLOGIES. IT MAY NOT BE DISCLOSED TO ANYONE, OTHER THAN LAIRD TECHNOLOGIES PERSONNEL, WITHOUT WRITTEN AUTHORIZATION FROM LAIRD TECHNOLOGIES.



NOTES:

1. FOAM: POLYURETHANE
2. FABRIC: NICKEL PET-TAF FR Ecogreen
3. TAPE: .125" TAPE HI-TEMP
4. LINER: NO EXTENDED RELEASE LINER
5. FABRIC SEAM LOCATION MAY VARY.
6. CARRIER: NO CARRIER
7. THIS PART IS RoHS COMPLIANT AND MEETS THE REQUIREMENTS OF LT-GES-001

REVISIONS:	TITLE:		DRAWN	DATE	SCALE:	DIMENSIONS ARE IN INCHES. UNLESS OTHERWISE SPECIFIED, TOLERANCES ARE AS FOLLOWS: DECIMALS LENGTH .XX ± .03 0" - 6" ± .030" .XXX ± .020 6" - 11" ± .050" 11" - 48" ± .100" ANGLES 48" - 70" ± .187" ± 1/2" 70" - 144" ± .250"
	SHIELDING GASKET		GIBILTERRA	3/18/08	1/1	
	Dwg. or Part No.		CHECKED BY:		DATE	
	4741-PA-51H		FJG		3/31/08	
	REV.	RELEASED BY:		DATE		
	0	FJG		3/31/08		

