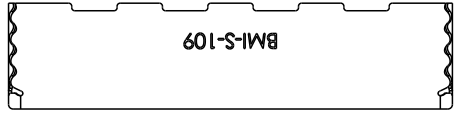
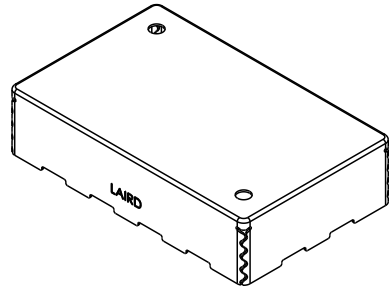
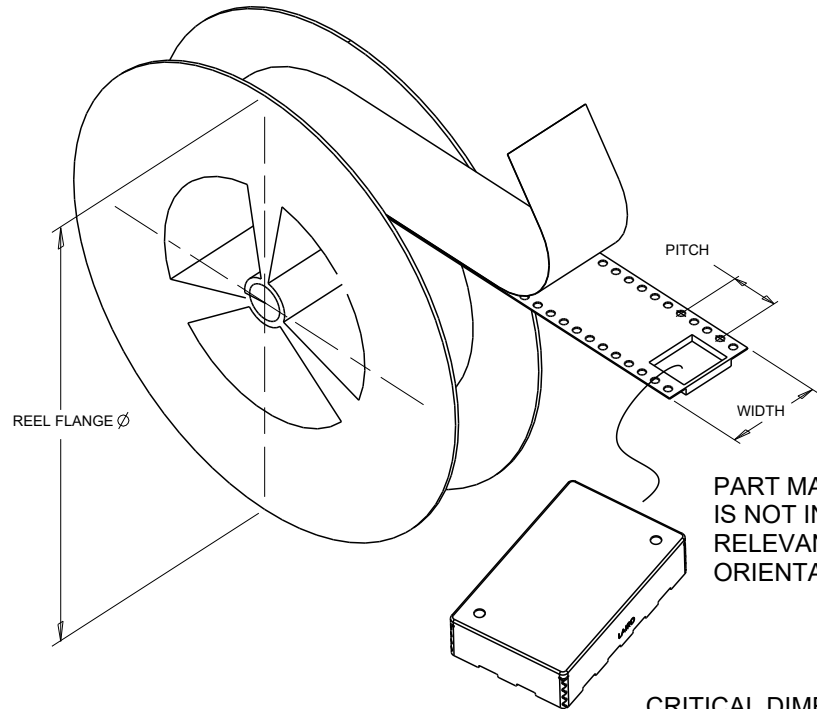
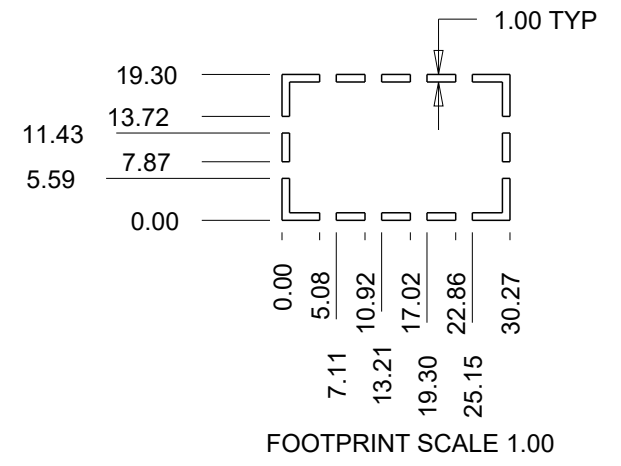
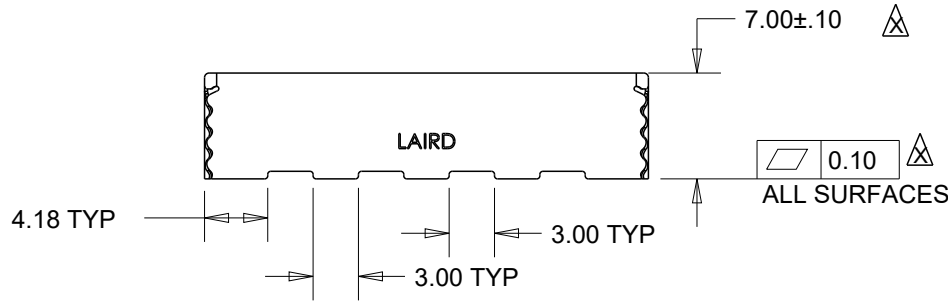
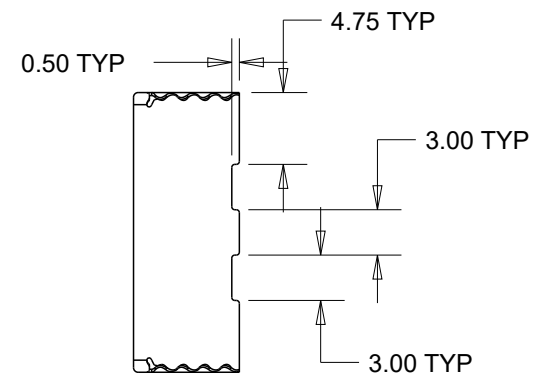
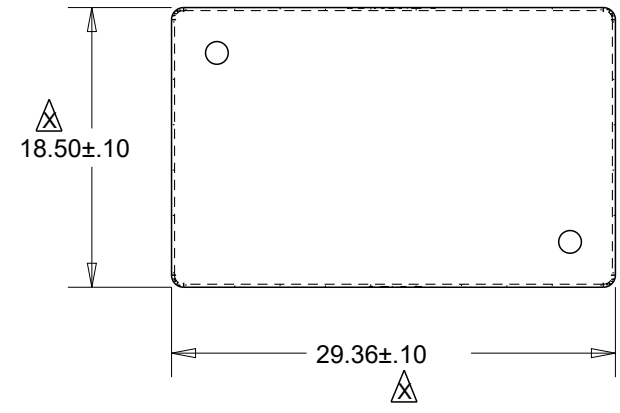
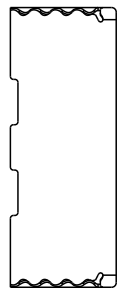


FUNCTION	PART NUMBER	MATERIAL / FINISH	PACKAGING			
			TAPE AND REEL			
FENCE	BMI-S-109	.20MM 1008/1010 PRE-PLATED COLD ROLLED STEEL 1/2 HARD 1.25-5.00 MICRONS 100% MATTE TIN	REEL DIAMETER	TAPE WIDTH	PITCH	QUANTITY
			381MM	44MM	28MM	400



- NOTES:
- OTHER MATERIAL OPTIONS MAY BE AVAILABLE, CONSULT SALES.
 - OTHER PACKAGING OPTIONS MAY BE AVAILABLE, CONSULT SALES.



PART MARKING ON SIDES IS NOT INTENDED TO BE RELEVANT TO PART ORIENTATION IN CARRIER TAPE.

CRITICAL DIMENSIONS ARE DESIGNATED BY

US PATENT 7488902

	PART DESCRIPTION: BOARD LEVEL SHIELD		PART NUMBER: BMI-S-109-SALES	
	CUSTOMER: LAIRD CATALOG		MODELED BY: TW	DATE: 05/04/21
3RD ANGLE PROJECTION	PROGRAM NAME: STANDARDS	CUSTOMER PART NUMBER: N/A	REV: -	APPROVED BY: X
DESIGNED IN PRO/ENGINEER	SCALE: 1.500	SHEET 1 OF 1	SIZE: B	DATE: XX/XX/XX
INFORMATION CONTAINED IN THIS DOCUMENT IS CONFIDENTIAL AND PROPRIETARY TO LAIRD TECHNOLOGIES. IT MAY NOT BE DISCLOSED TO ANYONE WITHOUT WRITTEN AUTHORIZATION FROM LAIRD TECHNOLOGIES.				
				SALES