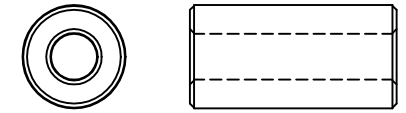


SCALE DRAWING 1:1



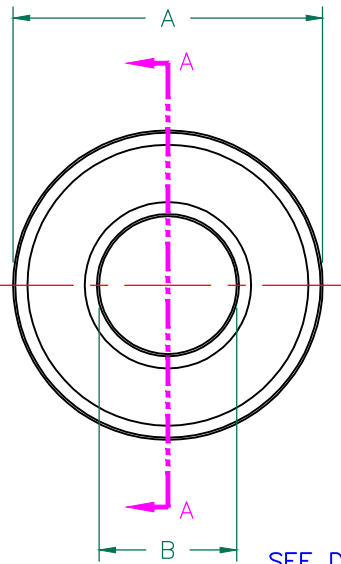
LFB143064-000

IMPEDANCE (Z) NET ^{SEE NOTE 1}

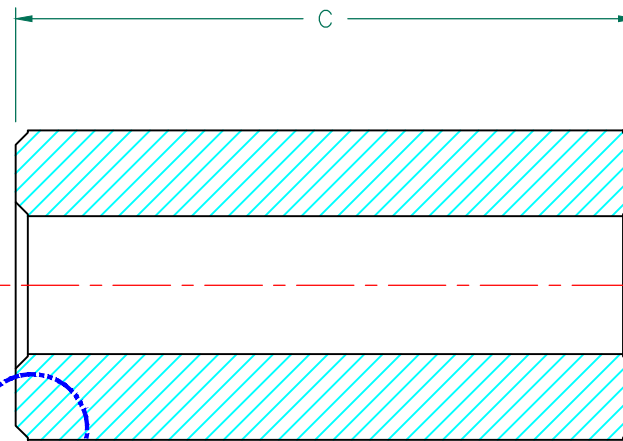
FREQUENCY	500 KHz	1 MHz	5 MHz
NOMINAL (REF.) 1 TURN	70 Ω	122 Ω	120 Ω
MINIMUM (SPEC.) 1 TURN	- Ω	97 Ω	- Ω
NOMINAL (REF.) 2 TURNS	290 Ω	490 Ω	480 Ω
NOMINAL (REF.) 3 TURNS	650 Ω	1100 Ω	1080 Ω

TEST CRITERIA

METER HP4396A OR EQUIVALENT
 FIXTURE HP16092A OR EQUIVALENT

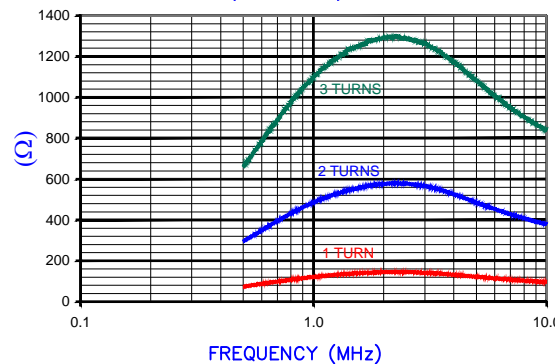


SEE DETAIL "A"

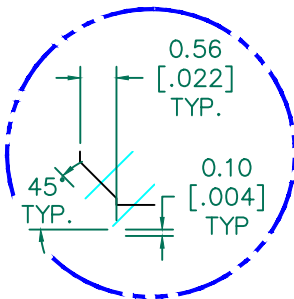


SECTION A-A

Z vs. FREQUENCY
 1 TURN, 2, AND 3 TURNS
 (REF. ONLY)



AGILENT E4991A RF Impedance/Material Analyzer
 HP 16092A Test Fixture REF# 2695



DETAIL "A"
 CHAMFER
 SCALE=9:1

NOTES:

- NET IMPEDANCE IS IMPEDANCE OF THE FERRITE CORE ONLY. ALL IMPEDANCE CONTRIBUTION FROM TEST WIRE AND FIXTURES HAS BEEN REMOVED.

FERRITE CORE DIMENSIONS (SPEC):

A	14.27 [.562]	±	0.25 [.010]
B	6.35 [.250]	±	0.25 [.010]
C	28.58 [1.125]	±	0.51 [.020]

WEIGHT/1000 17.29 kgs [38.12 Lbs]

DIMENSIONS ARE IN mm [INCHES].				This print is the property of Laird Tech. and is loaned in confidence subject to return upon request and with the understanding that no copies shall be made without the written consent of Laird Tech. All rights to design or invention are reserved.				
D	UPDATE COMPANY LOGO	07/13/08	TMB	PROJECT/PART NUMBER: LFB143064-000	REV	D	PART TYPE: FERRITE CORE	DRAWN BY: TMB
C	REMOVE MIN SPEC @ 500 KHz & 5 MHz	02/10/06	TMB		DATE: 09/30/02	SCALE: 3:1	MATERIAL: LF	
B	UPDATE TOLS. ON DIMENSIONS A,B&C ADD TEST REF TO CURVE	12/22/04	JRK	CAD # LFB143064-000-D	TOOL # B0562			
A	ORIGINAL DRAFT	09/30/02	TMB					
REV	DESCRIPTION	DATE	INT					

