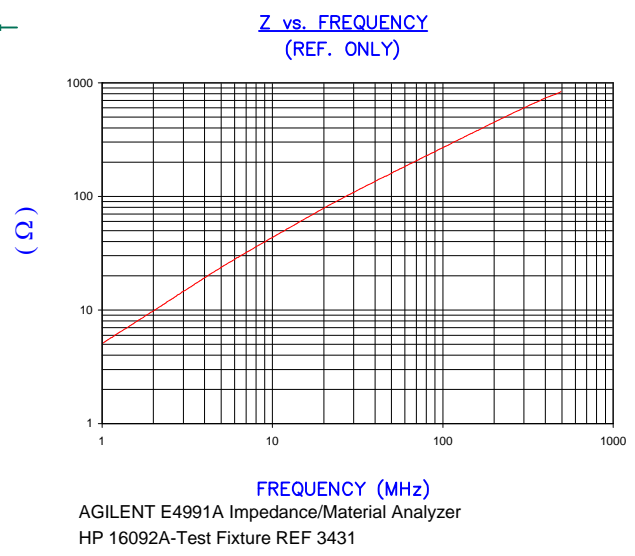
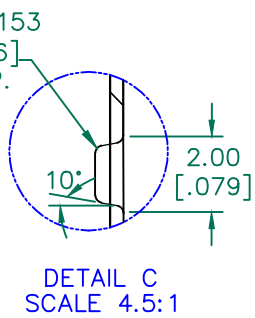
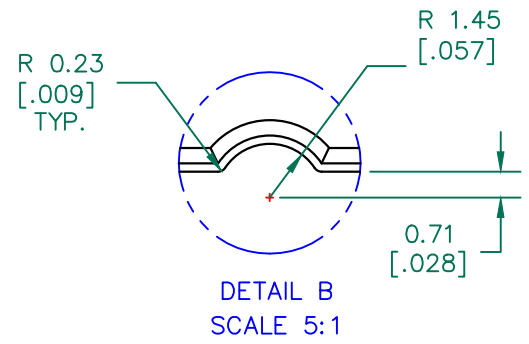
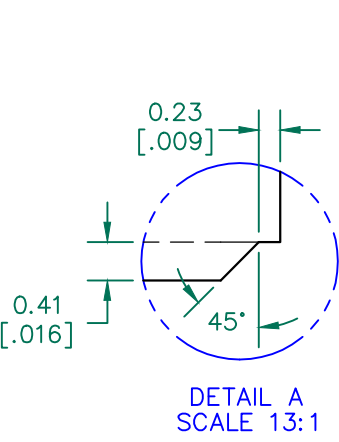


IMPEDANCE ( Z )			
Frequency	25 MHz	100 MHz	300 MHz
Nominal (REF)	100 Ω	280 Ω	590 Ω
Minimum	- Ω	224 Ω	- Ω



FERRITE CORE DIMENSIONS (SPEC): mm [in]

A	63.50 [2.500]	+	1.27 [0.050]
B	52.07 [2.050]	+	1.02 [0.040]
C	28.58 [1.125]	+	0.64 [0.025]
D	6.35 [0.250]	+	0.25 [0.010]
E	0.84 [0.033]	+	0.25 [0.010]
F	7.62 [0.300]	+	0.18 [0.007]
G	31.75 [1.250]	+	0.76 [0.030]
H	2.74 [0.108]	+	0.25 [0.010]
J	0.86 [0.034]	+	0.25 [0.010]



WEIGHT/1000 50.13 kgs 110.53 Lbs

NOTES:

1. ADD ONE METAL CLIP FOR SHIPPING.
2. METAL CLIP SPECIFICATION: ASSE017-2.
3. INCLUDES ONE CORE AND ONE CLIP.
4. PART WEIGHT IS FOR ONE CORE.
5. USE FERRITE CORE STEWARD P/N 28S2001-000.
6. COSMETIC SPECIFICATION REFER TO WI-QA-038.

DIMENSIONS ARE IN mm[INCHES].				This print is the property of Laird Tech. and is loaned in confidence subject to return upon request and with the understanding that no copies shall be made without the written consent of Laird Tech. All rights to design or invention are reserved.		Laird		
K	UPDATE THE LOGO AND NOTE 6	07/01/15	QIU	PROJECT/PART NUMBER:		REV	PART TYPE:	DRAWN BY:
J	CHANG DETALL C	07/09/10	JUN	28S2001-0M0		K	CNZ SPLIT FERRITE CORE	JBE
H	UPDATE COMPANY LOGO REVISE DIMPLE AND DIMENSIONS IN DETAIL C	10/16/08	JRK	DATE:	11/02/94	SCALE:	1.5 : 1	MATERIAL:
G	UPDATE NOTES ADD TEST REF NUMBER	08/11/05	JRK	CAD #	28S2001-0M0-K	TOOL #	S2001	FERRITE
F	UPDATE FORMAT & Z SPECS REMOVE NOTE 1 ADD Z CURVE	07/09/03	JRK					
REV	DESCRIPTION	DATE	INT					