

# CM3032V201R-10

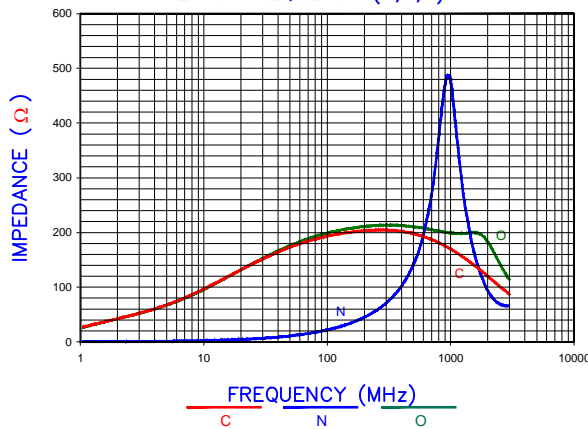
## PHYSICAL DIMENSIONS:

A	7.62 [.300]	+ 0.13 [.005]
B	8.13 [.320]	+ 0.13 [.005]
B <sub>1</sub>	10.92 [.430]	MAX
C	9.45 [.372]	+ 0.15 [.006]
C <sub>1</sub>	10.08 [.397]	MAX
D	4.06 [.160]	+ 0.05 [.002]
E	1.27 [.050]	+ 0.13 [.005]
E <sub>1</sub>	2.03 [.080]	+ 0.13 [.005]

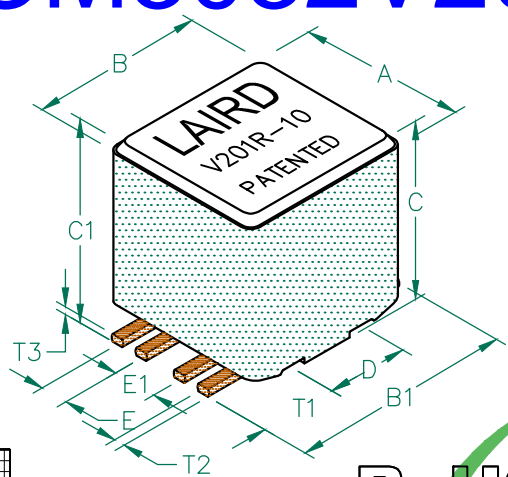
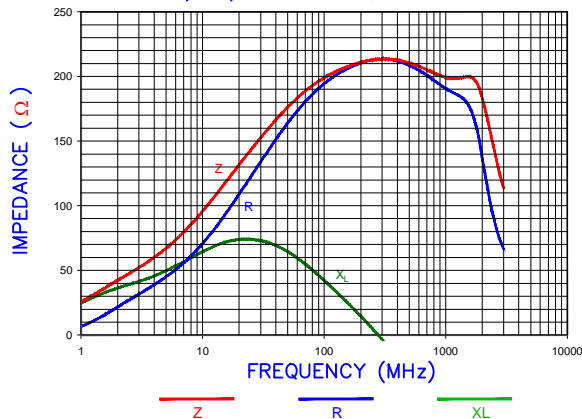
## WIRE DIMENSIONS:

T <sub>1</sub>	3.30 [.130]	+ 0.38 [.015]
T <sub>2</sub>	0.64 [.025]	TYP.
T <sub>3</sub>	0.38 [.015]	TYP.

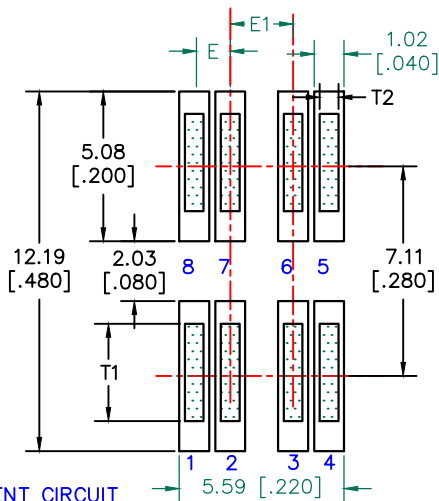
Z vs. FREQUENCY (C,O,N)



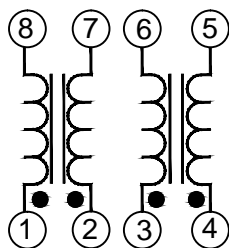
Z, R, XL vs. FREQUENCY



## LAND PATTERNS FOR REFLOW SOLDERING



## EQUIVALENT CIRCUIT



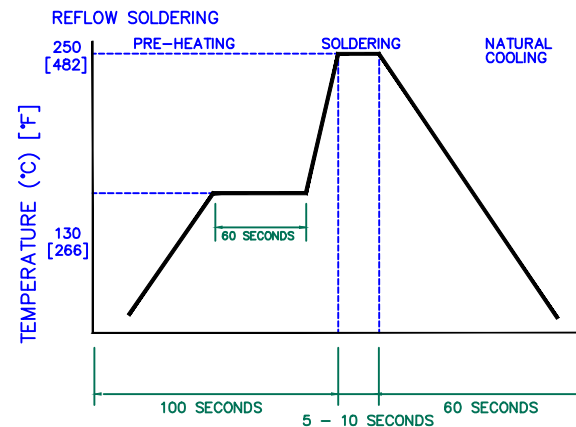
## ELECTRICAL CHARACTERISTICS:

Z @ 100MHz (Ω)	DCR (Ω)	Rated Current
Nominal	200	
Minimum	150	
Maximum	250	0.01
		8,000 mA

NOTES: UNLESS OTHERWISE SPECIFIED

1. TAPED AND REELED per CURRENT EIA SPECIFICATIONS, 13" REELS, 400 PCS/REEL.
2. COMPONENTS SHOULD BE ADEQUATELY PREHEATED BEFORE SOLDERING.
3. REF. CARRIER TAPE SPECIFICATION # CART3032-23.
4. TERMINATION FINISH IS 100% TIN.
5. THIS PART HAS NO PIN POLARITY.
6. OPERATION TEMPERATURE (INCLUDING SELF-HEATING): -40 ~ +125°C.

## RECOMMENDED SOLDERING CONDITIONS

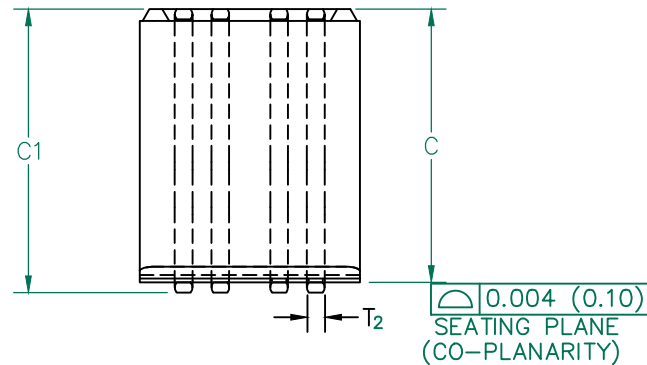
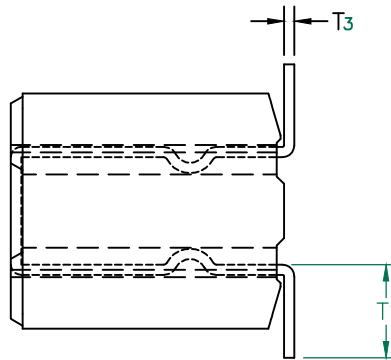
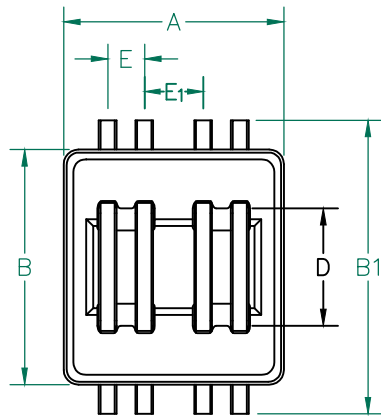


DIMENSIONS ARE IN mm (INCHES).

This print is the property of Laird Tech. and is loaned in confidence subject to return upon request and with the understanding that no copies shall be made without the written consent of Laird Tech. All rights to design or invention are reserved.



D	ADD NOTE 6	08/30/12	QUI	PROJECT/PART NUMBER:	REV	PART TYPE:	DRAWN BY:
C	UPDATE COMPANY LOGO & KAPTON LABEL ADD EQUIV. CIRCUIT CORRECT REEL QTY	11/05/08	JRK	CM3032V201R-10	D	ASSEMBLY	JRK
B	UPDATE COMPANY LOGO	11/21/07	JRK	DATE:	05/28/04	SCALE:	NTS
A	ORIGINAL DRAFT	5/28/04	JRK	GAD #		TOOL #	-
REV	DESCRIPTION	DATE	INT	CM3032V201R-10-D-1			1 of 2



**LAIRD**  
V201R-10  
PATENTED

LABEL

**DIMENSIONS:**

A	7.62 [.300]	+	0.13 [.005]
B	8.13 [.320]	+	0.13 [.005]
B1	10.92 [.430]		MAX
C	9.45 [.372]	+	0.15 [.006]
C1	10.08 [.397]		MAX
D	4.06 [.160]	+	0.05 [.002]
E	1.27 [.050]	+	0.13 [.005]
E1	2.03 [.080]	+	0.13 [.005]

**WIRE DIMENSIONS:**

T1	3.30 [.130]	+	0.38 [.015]
T2	0.64 [.025]		TYP.
T3	0.38 [.015]		TYP.

**RoHS**

SCALE DRAWING

CM3032V201R-10

**ELECTRICAL TESTING**

TEST:	GROSS	GROSS
# TURNS	1	1
AWG	22	22
FREQUENCY	25 MHz	100 MHz
NOMINAL	113 Ω	200 Ω
MINIMUM	87 Ω	150 Ω
MAXIMUM	- Ω	250 Ω
WEIGHT/1000	2.44 kgs.	5.39 lbs.

**NOTES: UNLESS OTHERWISE SPECIFIED**

1. WIRE: REFERENCE STEWARD WIRE PURCHASE SPEC. W0032-21
2. IMPEDANCE VALUES ARE GROSS, MEASURED USING W0032-21 WIRE PLACED AGAINST END OF SLOT w/ NO D.C. BIAS.
3. REFERENCE STEWARD CORE P/N 24H0300-200.
4. PROTECTED BY U.S. PATENT NO. 5,455,552.
5. TERMINATION FINISH IS 100% TIN.
6. THIS PART HAS NO PIN POLARITY.

DIMENSIONS ARE IN mm (INCHES).				This print is the property of Laird Tech. and is loaned in confidence subject to return upon request and with the understanding that no copies shall be made without the written consent of Laird Tech. All rights to design or invention are reserved.		<b>Laird</b>	
D	ADD NOTE 6	08/30/12	QIU	PROJECT/PART NUMBER:	REV	PART TYPE:	DRAWN BY:
C	UPDATE COMPANY LOGO & KAPTON LABEL ADD EQUIV. CIRCUIT CORRECT REEL QTY	11/05/08	JRK	CM3032V201R-10	D	ASSEMBLY	JRK
B	UPDATE COMPANY LOGO	11/21/07	JRK	DATE:	SCALE:	NTS	SHEET:
A	ORIGINAL DRAFT	5/28/04	JRK	05/28/04			
REV	DESCRIPTION	DATE	INT	CAD #	TOOL #	-	1 of 2
				CM3032V201R-10-D-2			