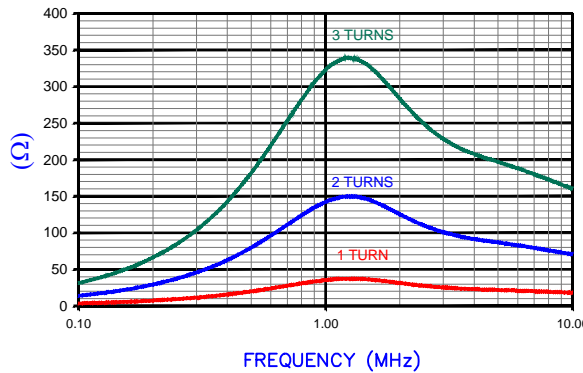


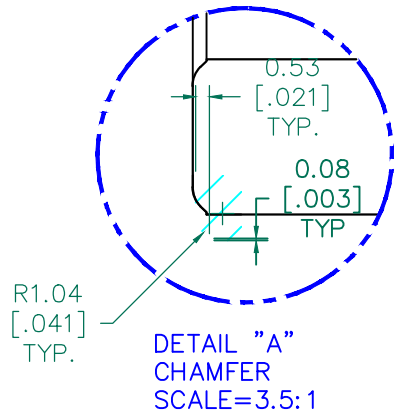
SEE DETAIL "A"

SECTION A-A

Z vs. FREQUENCY
1 TURN, 2, AND 3 TURNS
(REF. ONLY)



AGILENT E4991A RF Impedance/Material Analyzer
HP 16092A Test Fixture REF# 2492



IMPEDANCE (Z) NET ^{SEE NOTE 1}

FREQUENCY	500 KHz	1 MHz	5 MHz
NOMINAL (REF.) 1 TURN	19 Ω	33 Ω	22 Ω
MINIMUM (SPEC.) 1 TURN	- Ω	25 Ω	- Ω
NOMINAL (REF.) 2 TURNS	80 Ω	143 Ω	88 Ω
NOMINAL (REF.) 3 TURNS	182 Ω	322 Ω	196 Ω

TEST CRITERIA

METER HP4396A OR EQUIVALENT
FIXTURE HP16092A OR EQUIVALENT

NOTES: UNLESS OTHERWISE SPECIFIED

- NET IMPEDANCE IS IMPEDANCE OF THE FERRITE CORE ONLY. ALL IMPEDANCE CONTRIBUTION FROM TEST WIRE AND FIXTURES HAS BEEN REMOVED.
- COSMETIC SPECIFICATION REFER TO WI-QA-038.

FERRITE CORE DIMENSIONS (SPEC):

A	31.00 [1.220]	±	0.51 [.020]
B	19.00 [.748]	±	0.51 [.020]
C	13.00 [.512]	±	0.25 [.010]

WEIGHT/1000 28.76 kgs [63.40 Lbs]

DIMENSIONS ARE IN mm [INCHES].				This print is the property of Laird Tech. and is loaned in confidence subject to return upon request and with the understanding that no copies shall be made without the written consent of Laird Tech. All rights to design or invention are reserved.	
E	UPDATE THE LOGO	06/19/15	QIU	PROJECT/PART NUMBER:	LFB310190-000
D	UPDATE COMPANY LOGO	07/13/08	TMB	REV	E
C	REMOVE MIN TOLS @500 KHz	02/13/06	JRK	PART TYPE:	FERRITE CORE
B	REVISE TOLERANCES ADD TEST REF #	12/28/04	JRK	DRAWN BY:	TMB
A	ORIGINAL DRAFT	09/30/02	TMB	DATE:	09/30/02
REV	DESCRIPTION	DATE	INT	SCALE:	1.75:1
				CAD #	LFB310190-000-E
				TOOL #	B1220
				MATERIAL:	LF

