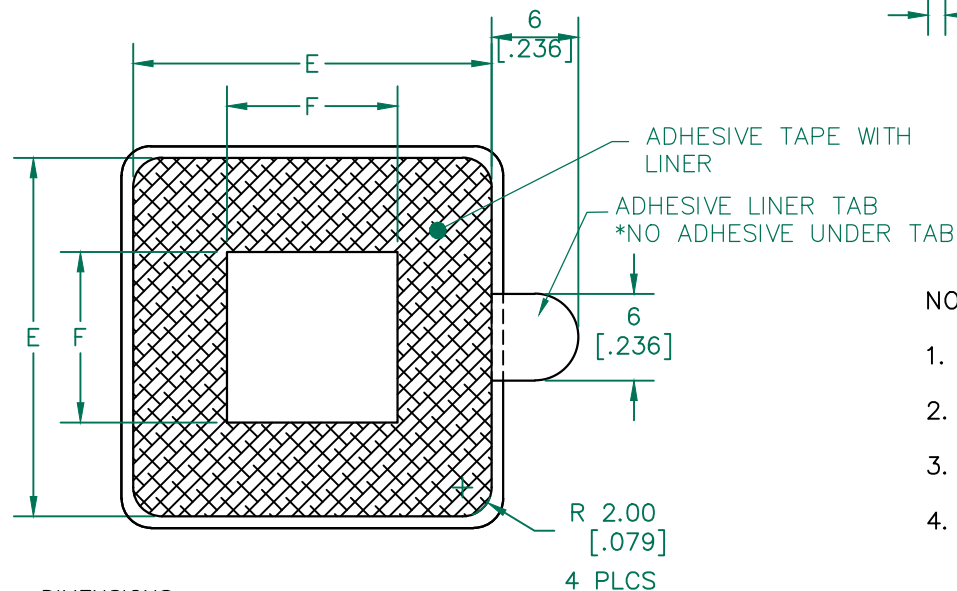


UNCONTROLLED DOCUMENT



NOTES:

1. CORE: MP1040-3B0.
2. ADHESIVE TAPE: 3M TAPE 4611
3. COLOR: DARK RED
4. APPLICATION FREQUENCY RANGE FROM 10MHz TO 100MHz.
5. COSMETIC SPECIFICATION REFER TO WI-QA-038.

DIMENSIONS:

A	26.42 [1.040]	± 0.38 [.015]
B	26.42 [1.040]	± 0.38 [.015]
C	2.25 [.089]	± 0.15 [.006]
D	1.20 [.047]	TYP.
E	24.80 [.976]	TYP.
F	11.80 [.465]	TYP.

WEIGHT/1000 7.77 kgs [17.13 Lbs]

DIMENSIONS ARE IN mm [INCHES].				This print is the property of Laird Tech. and is loaned in confidence subject to return upon request and with the understanding that no copies shall be made without the written consent of Laird Tech. All rights to design or invention are reserved.		Laird	
				PROJECT/PART NUMBER:	REV	PART TYPE:	DRAWN BY:
				MP1040-320	B	FERRITE PLATE	QIU
J	UPDATE THE LOGO	06/19/15	QIU	DATE:	SCALE:	MATERIAL:	
A	ORIGINAL DRAFT	12/12/11	QIU	12/12/11	2 : 1	Ferrite	
REV	DESCRIPTION	DATE	INT	CAD #	TOOL #		
				MP1040-320-B	P1040		