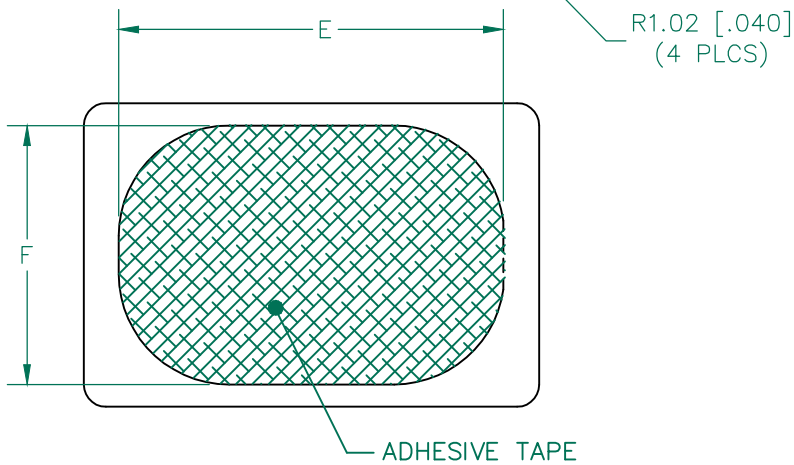
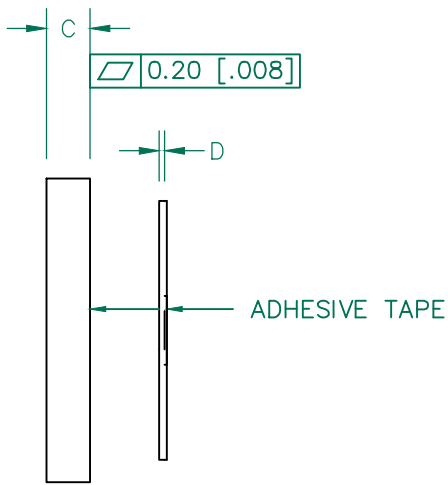
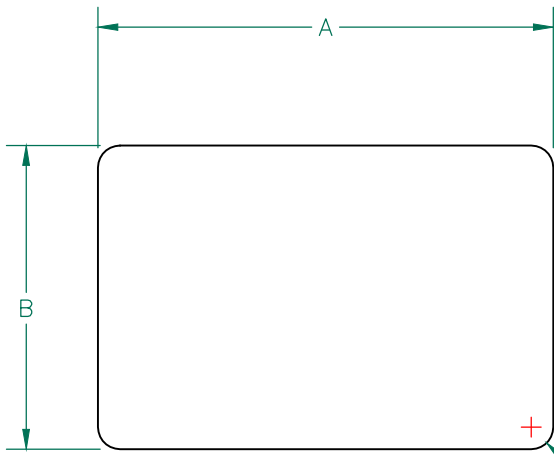


SCALE DRAWING 1:1

MP0551-210



NOTES: UNLESS OTHERWISE SPECIFIED

1. COSMETIC SPECIFICATION REFER TO WI-QA-038.
2. CORE: MP0551-2B0.
3. ADHESIVE: P/N 21216.
4. REFERENCE 3M TAPE 468MP ADHESIVE TRANSFER TAPE OR ENGINEER APPROVED ALTERNATIVE.

DIMENSIONS:

A	21.00 [.827]	+	0.42 [.017]
B	14.00 [.551]	+	0.30 [.012]
C	2.00 [.079]	+	0.08 [.003]
D	0.13 [.005]		TYP.
E	17.78 [.700]		TYP.
F	11.94 [.470]		TYP.

WEIGHT/1000 2.91 kgs [6.42 Lbs]

DIMENSIONS ARE IN mm [INCHES].				This print is the property of Laird Tech. and is loaned in confidence subject to return upon request and with the understanding that no copies shall be made without the written consent of Laird Tech. All rights to design or invention are reserved.		
F	UPDATE COMPANY LOGO	07/19/21	GZ			
E	CHANGE D DIMENSION	07/09/09	JRK			
D	REMOVE PULLTAB REVISE NOTE #3	06/11/09	JRK			
C	UPDATE COMPANY LOGO AND NOTE #3	12/10/08	JRK			
B	STANDARDIZE FORMAT (SeeCoverSheet)	01/31/06	JRK			
A	ORIGINAL DRAFT	10/17/05	JRK			
REV	DESCRIPTION	DATE	INT	PROJECT/PART NUMBER: MP0551-210	REV: F PART TYPE: FERRITE PLATE	DRAWN BY: JRK
		DATE: 10/17/05	SCALE: 3 : 1	MATERIAL: Ferrite		
		CAD # MP0551-210-F	TOOL # P0551			