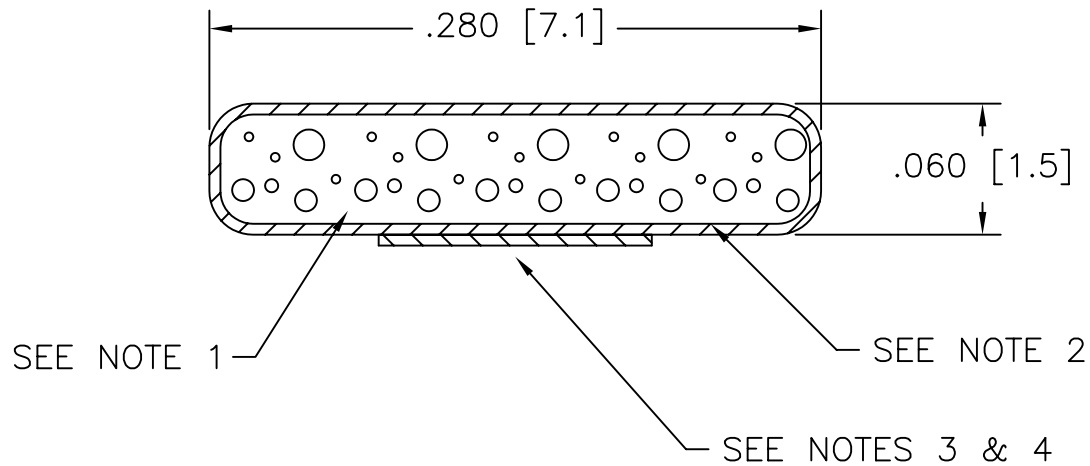


CONFIDENTIAL & PROPRIETARY

THIS INFORMATION IS CONFIDENTIAL AND PROPRIETARY TO LAIRD TECHNOLOGIES. IT MAY NOT BE DISCLOSED TO ANYONE, OTHER THAN LAIRD TECHNOLOGIES PERSONNEL, WITHOUT WRITTEN AUTHORIZATION FROM LAIRD TECHNOLOGIES.



NOTES:

1. FOAM: POLYURETHANE
2. FABRIC: NICKEL PET-TAF FR Ecogreen
3. TAPE: .125" TAPE HI-TEMP
4. LINER: NO EXTENDED RELEASE LINER
5. FABRIC SEAM LOCATION MAY VARY.
6. CARRIER: NO CARRIER
7. THIS PART IS RoHS COMPLIANT AND MEETS THE REQUIREMENTS OF LT-GES-001

|            |                  |              |             |         |        |  |
|------------|------------------|--------------|-------------|---------|--------|--|
| REVISIONS: | TITLE:           |              | DRAWN       | DATE    | SCALE: | DIMENSIONS ARE IN INCHES. UNLESS OTHERWISE SPECIFIED, TOLERANCES ARE AS FOLLOWS: |
|            | SHIELDING GASKET |              | GIBILTERRA  | 3/07/08 | 1/1    |  |
|            | Dwg. or Part No. |              | CHECKED BY: | DATE    |        |  |
|            | 4157-PA-51H      |              | J. PILLE    | 3/7/08  |        |  |
|            | REV.             | RELEASED BY: | DATE        |         |        |  |
|            | 0                | FJG          | 3/31/08     |         |        |  |

| DECIMALS    | LENGTH    | TOLERANCE          |
|-------------|-----------|--------------------|
| .XX ± .03   | 0" - 6"   | ± .030"            |
| .XXX ± .020 | 6" - 11"  | ± .050"            |
|             | 11" - 48" | ± .100"            |
| ANGLES      | 48° - 70° | ± .187°            |
|             | ± 1/2°    | 70° - 144° ± .250° |

