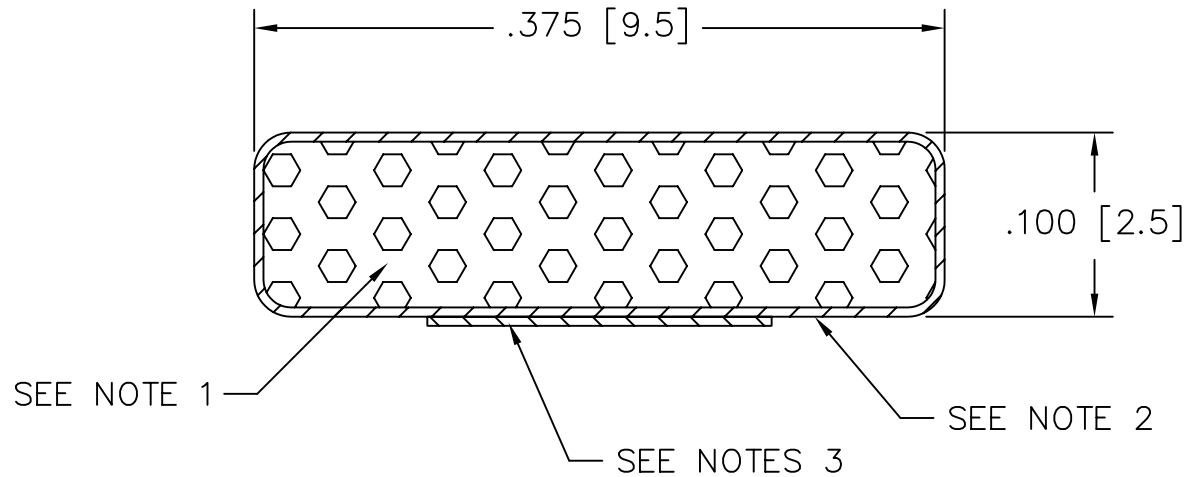


CONFIDENTIAL & PROPRIETARY

THIS INFORMATION IS CONFIDENTIAL AND PROPRIETARY TO LAIRD TECHNOLOGIES. IT MAY NOT BE DISCLOSED TO ANYONE, OTHER THAN LAIRD TECHNOLOGIES PERSONNEL, WITHOUT WRITTEN AUTHORIZATION FROM LAIRD TECHNOLOGIES.



NOTES:

1. FOAM: POLYURETHANE
2. FABRIC: NICKEL PET-TAF FR Ecogreen
3. TAPE: .187" TAPE HI-TEMP
4. LINER: NO EXTENDED RELEASE LINER
5. FABRIC SEAM LOCATION MAY VARY.
6. CARRIER: NO CARRIER
7. THIS PART IS RoHS COMPLIANT AND MEETS THE REQUIREMENTS OF LT-GES-001

| | | | | | | |
|------------|------------------|--------------|-------------|---------|--------|--|
| REVISIONS: | TITLE: | | DRAWN | DATE | SCALE: | DIMENSIONS ARE IN INCHES. UNLESS OTHERWISE SPECIFIED, TOLERANCES ARE AS FOLLOWS: |
| | SHIELDING GASKET | | J. PILLE | 3/18/08 | 1/1 | |
| | Dwg. or Part No. | | CHECKED BY: | DATE | | |
| | 4082-PA-51H | | J. PILLE | 3/18/08 | | |
| | REV. | RELEASED BY: | DATE | | | |
| | 0 | FJG | 3/31/08 | | | |

| | |
|-------------|--------------------|
| DECIMALS | LENGTH |
| .XX ± .03 | 0" - 6" ± .030" |
| .XXX ± .020 | 6" - 11" ± .050" |
| | 11" - 48" ± .100" |
| ANGLES | 48° - 70° ± .187° |
| | 70° - 144° ± .250" |

