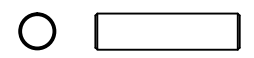
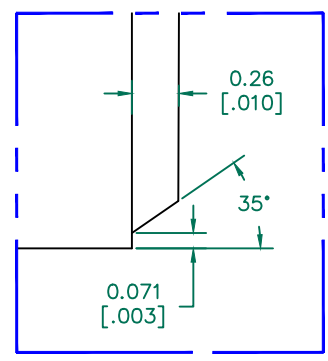
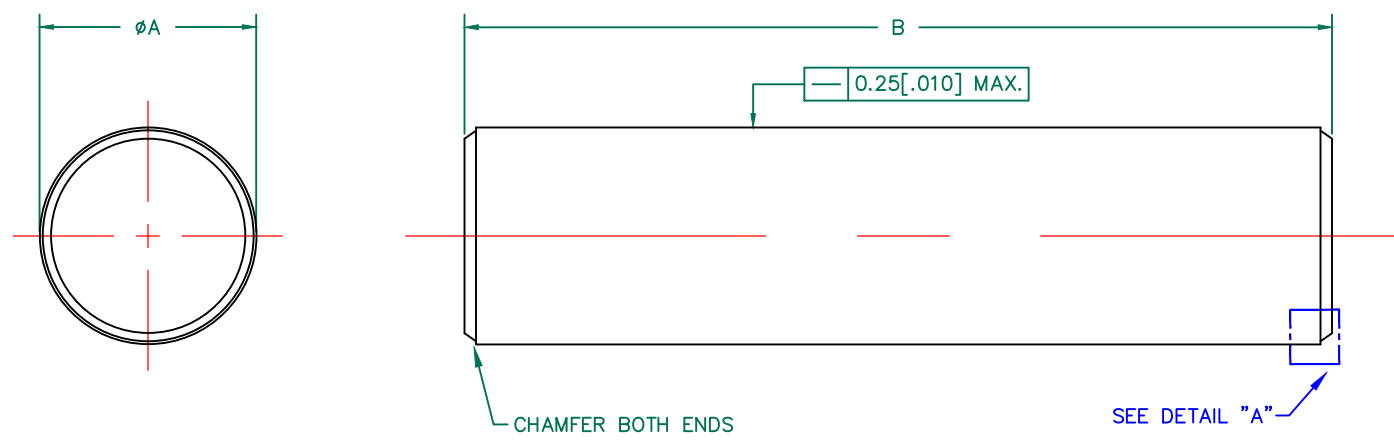


SCALE DRAWING 1:1  
  
 28M0197-000



DETAIL "A"  
 SCALE: 50 : 1

BARE DIMENSIONS:


A	5.00 [.197]	+	0.25 [.010]
B	20.00 [.843]	+	0.50 [.020]

WEIGHT/K      1.90 kgs      4.19 lbs.

NOTES: UNLESS OTHERWISE SPECIFIED

1. COSMETIC SPECIFICATION REFER TO WI-QA-038.



DIMENSIONS ARE IN mm [INCHES].				This print is the property of Laird Tech. and is loaned in confidence subject to return upon request and with the understanding that no copies shall be made without the written consent of Laird Tech. All rights to design or invention are reserved.				
PROJECT/PART NUMBER:				REV	PART TYPE:	DRAWN BY:		
28M0197-000				A	ROD	QIU		
DATE:				SCALE:	MATERIAL:			
06/20/14				NTS	FERRITE			
CAD #				TOOL #				
28M0197-000-A				6:1				
REV	DESCRIPTION	DATE	INT					
A	ORIGINAL DRAFT	06/20/14	QIU					