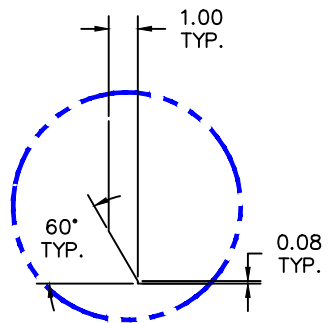


SEE DETAIL "A"

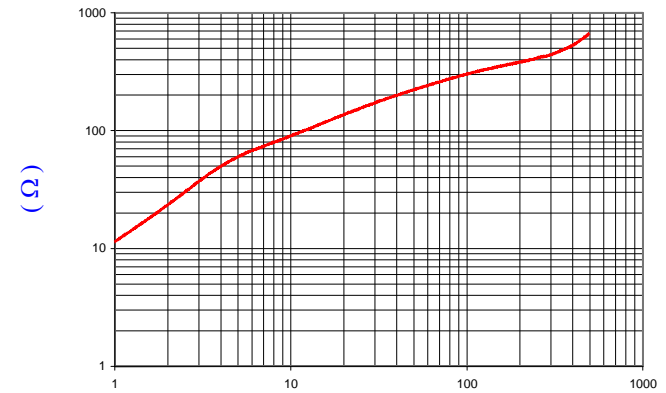


DETAIL "A"
CHAMFER
SCALE=4:1



IMPEDANCE (Z)			
Frequency	25 MHz	100 MHz	200 MHz
Nominal (REF)	157 Ω	305 Ω	442 Ω
Minimum	- Ω	244 Ω	- Ω

Z vs. FREQUENCY
(REF. ONLY)



FREQUENCY (MHz)
AGILENT E4991A Impedance/Material Analyzer
HP 16092A-Test Fixture, REF. 3131

FERRITE CORE DIMENSIONS (SPEC): mm/inches

A	50.80 [2.000]	+	0.76 [.030]
B	25.40 [1.000]	+	0.38 [.015]
C	28.70 [1.130]	+	0.56 [.022]

WEIGHT/1000 215.59 kgs [475.3 Lbs]

NOTES: UNLESS OTHERWISE SPECIFIED

- COSMETIC SPECIFICATION REFER TO WI-QA-038.

DIMENSIONS ARE IN mm [INCHES].				This print is the property of Laird Tech. and is loaned in confidence subject to return upon request and with the understanding that no copies shall be made without the written consent of Laird Tech. All rights to design or invention are reserved.		Laird		
F	UPDATE CHAMFER	01/08/19	Jcai	PROJECT/PART NUMBER: 28B2000-100		REV	F	DRAWN BY: JAZ
E	UPDATE COMPANY LOGO	05/22/15	QIU					
D	RE-ACTIVATE, UPDATE Z SPECS AND CURVE	11/10/03	JRK	DATE:	08/09/93	SCALE:	1:1	MATERIAL: FERRITE
C	NEW CNZ FORMAT ADD DETAIL A	11/07/02	JRK	CAD #	28B2000-100-F	TOOL #	B2000A	
B	UPDATE FORMAT DEL NOTE 1 ADD ELECT SPEC	03/15/99	IS					
A	ORIGINAL DRAFT	08/09/93	JAZ					
REV	DESCRIPTION	DATE	INT					